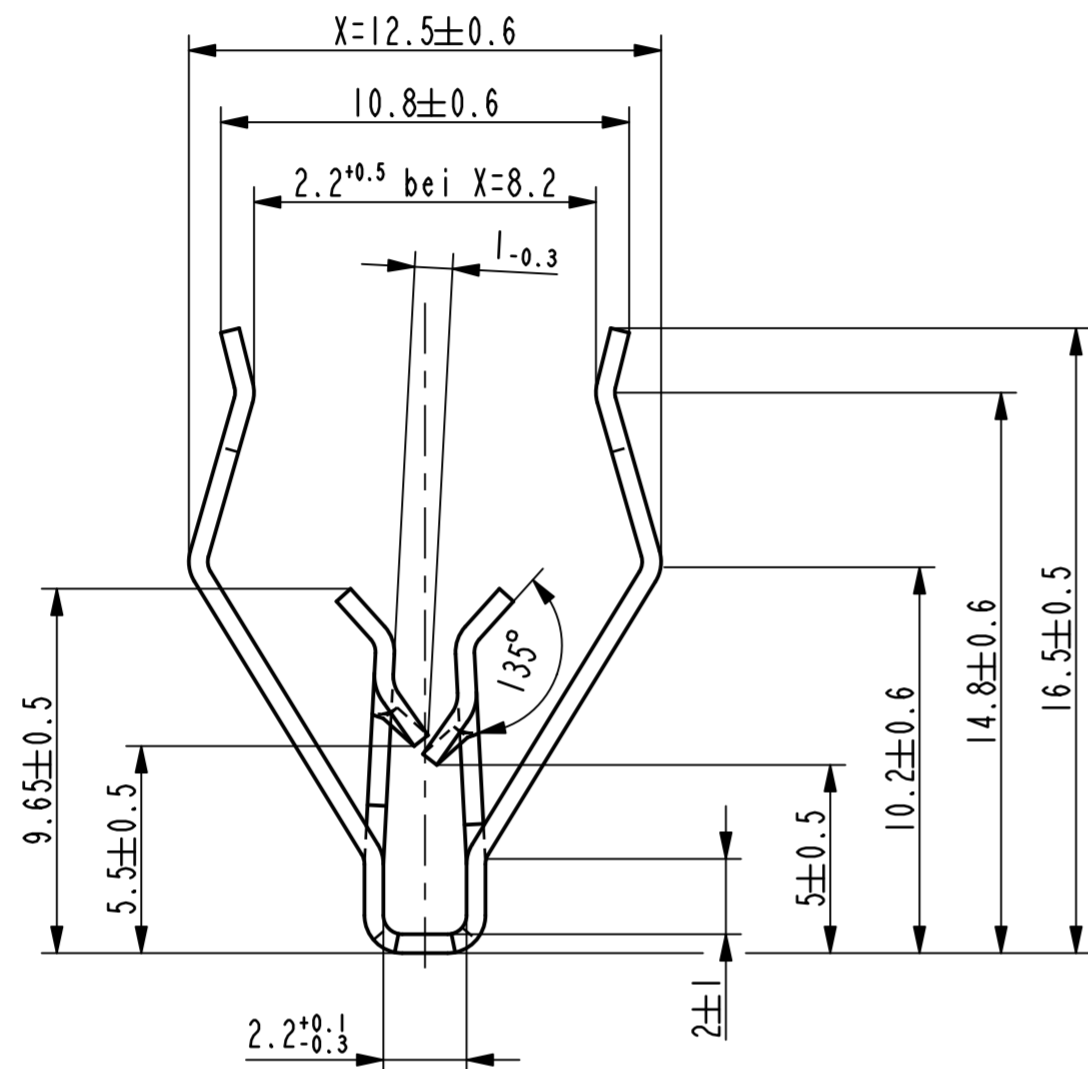
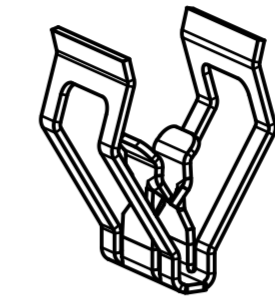
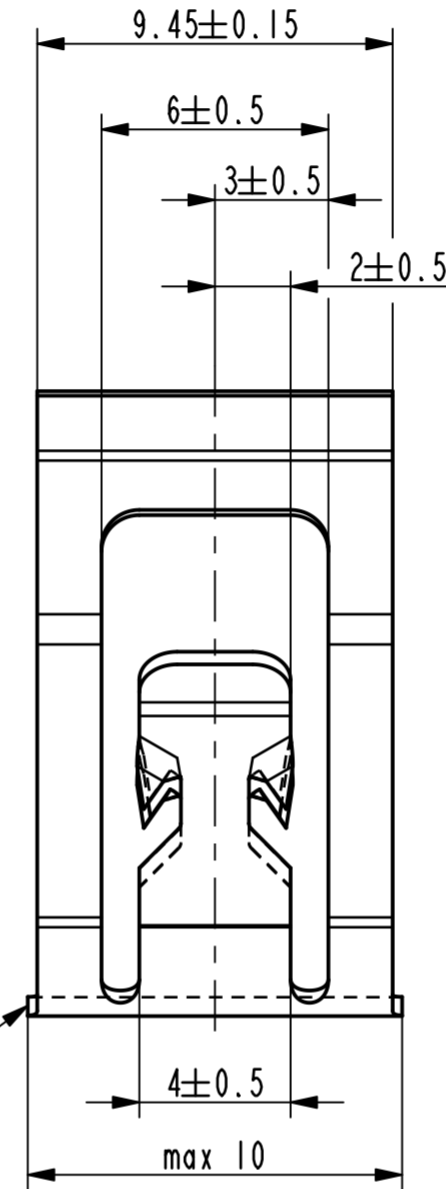


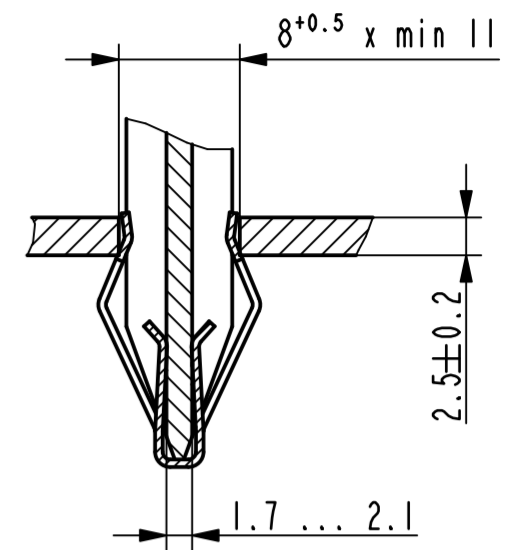
Vor Auslegung einer automatisierten Verarbeitung des Teils sollte Rücksprache mit Fa. A.Raymond gehalten werden.  
 Fully automatic processing of the part requires prior consultation with A.Raymond GmbH.



Ansatz zulaessig /  
overcut permissible



3D-Ansicht /  
isometric view  
2:1



Einbausituation /  
assembly condition  
2:1

Rev.	Anzahl/quality	Aenderungsbeschreibung / modification description	Datum/date	Name		
Bd	-	Zeichnung ueberarbeitet nach AR-Gruppenstandard, Teil unveraendert	17.11.10	YH		
Teichstrasse 57 Germany - 79511 Loerrach Phone +49 (0) 7621 174-0 Fax +49 (0) 7621 174-225						
Bei Verstaeandnisproblemen beantragen Sie bitte beim Absender die deutsche Fassung vor jeder Anwendung. <b>"CONDITIONS OF USE"</b> This drawing and all information (the "Drawing") disclosed are the exclusive property of A.Raymond. By using this Drawing the Addressee acknowledges and accepts that this Drawing (1) is covered by A.Raymond' intellectual property rights or know-how and (2) is provided under the following conditions who represent a Deposit Agreement. This Drawing is for Addressee' internal use only limited to its estimation. Without prior written consent of A.Raymond, no permission or rights for any purpose, is hereby granted, such as, without any limitation, (1) the copy, in part or entirely, (2) and/or the presentation, in part or entirely, to any other third party outside the Addressee' company or in the company but with no interest (3) and/or the distribution of the Drawing, in part or entirely, in any medium (4) and/or the creation of any derivative work. In case of breach of these conditions, Addressee shall indemnify A.Raymond from and against all damages (compensatory or consequential), costs, expenses and charges, caused or arising out of or attributable to its willful misconduct, fraud, negligence, infringement of A.Raymond' intellectual property rights. If the Addressee does not accept these conditions, please notify A.Raymond' sender immediately.						
Schutzrechte/patent rights	vorbehalten / all rights reserved			Resch Code/classification	CBA--	
Ersatz fuer/substitute for	016437.C.01/Bc/25.05.2007	Entw.Ref./dev.ref.	Projekt-Nr./project no.		50586	
Masstab/scale	Format	Allgemeintoleranz/general tolerance	Datum/date	Erstellt von/prepared by		
5:1	A2	±0.3 / ±5°	17.11.2010	Y.Haizmann		
Projektion / projection	ALL DIMENSIONS ARE IN MILLIMETERS		Freigegeben/approved	20101123174730		
	Blechkoeffizient/met. thickness DIN EN 10140	0.50	Volumen/volume (mm³)	125.6	Gericht/weight (g)	1.0
Oberfl./finish	phosphatiert / impraegniert phosphated / oiled			Oberfl. Code/finish code		5100
Werkstoffbehandl./material treatment	zwischenstufenverguetet / austempered 435 ... 535 HV 5					
Werkstoff/material	C67S DIN EN 10132-4				Mat. code	1000
Bezeichnung/title	Klammer clip					
Teil-Nr./part no.	016437-0-01			Drawing type		Customer
Kundenteile-Nr. / customer part no.	-			Blatt / sheet		1 / 1
Teil-Nr. / part no.		Oberflaeche / Farbe / finish / colour		Oberfl. Code/finish code		
Ausfuehrung / Execution						
CAD system & version			ProE WF3		Dateiname / filename	016437-0C00

016437-0-12	verzinkt / passiviert farblos zinc plated / passivated colourless	3250
016437-0-11	metallhaltige Korrosionsschutzbeschichtung, Farbe schwarz metallic corrosion protection coated, colour black	5455
016437-0-09	metallhaltige Korrosionsschutzbeschichtung, Farbe silber, GZ metallic corrosion protection coated, colour silver, lubricated	4001
016437-0-08	metallhaltige Korrosionsschutzbeschichtung, Farbe schwarz, GZ metallic corrosion protection coated, colour black, lubricated	4003
016437-0-07	impraegniert oiled	7000
016437-0-06	metallhaltige Korrosionsschutzbeschichtung, Farbe silber metallic corrosion protection coated, colour silver	5410
016437-0-05	metallhaltige Korrosionsschutzbeschichtung, Farbe silber, GZ metallic corrosion protection coated, colour silver, lubricated	5452
016437-0-04	metallhaltige Korrosionsschutzbeschichtung, Farbe schwarz metallic corrosion protection coated, colour black	5441
016437-0-02	metallhaltige Korrosionsschutzbeschichtung, Farbe anthrazit metallic corrosion protection coated, colour anthracite	5411