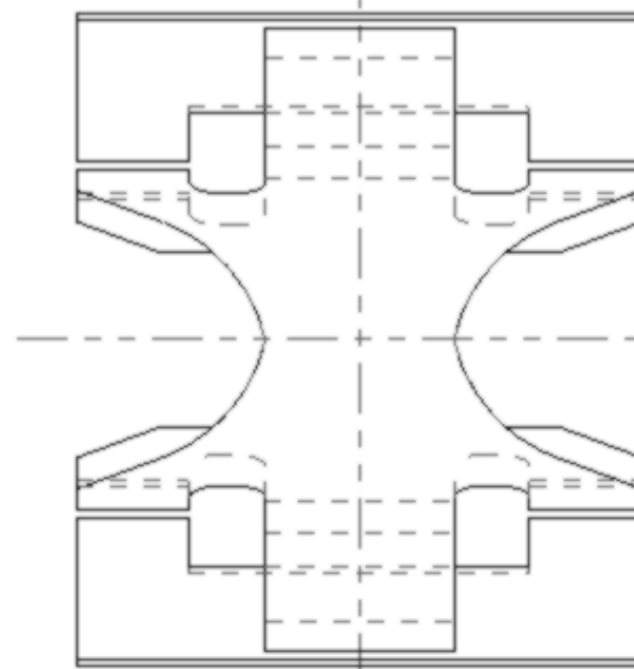
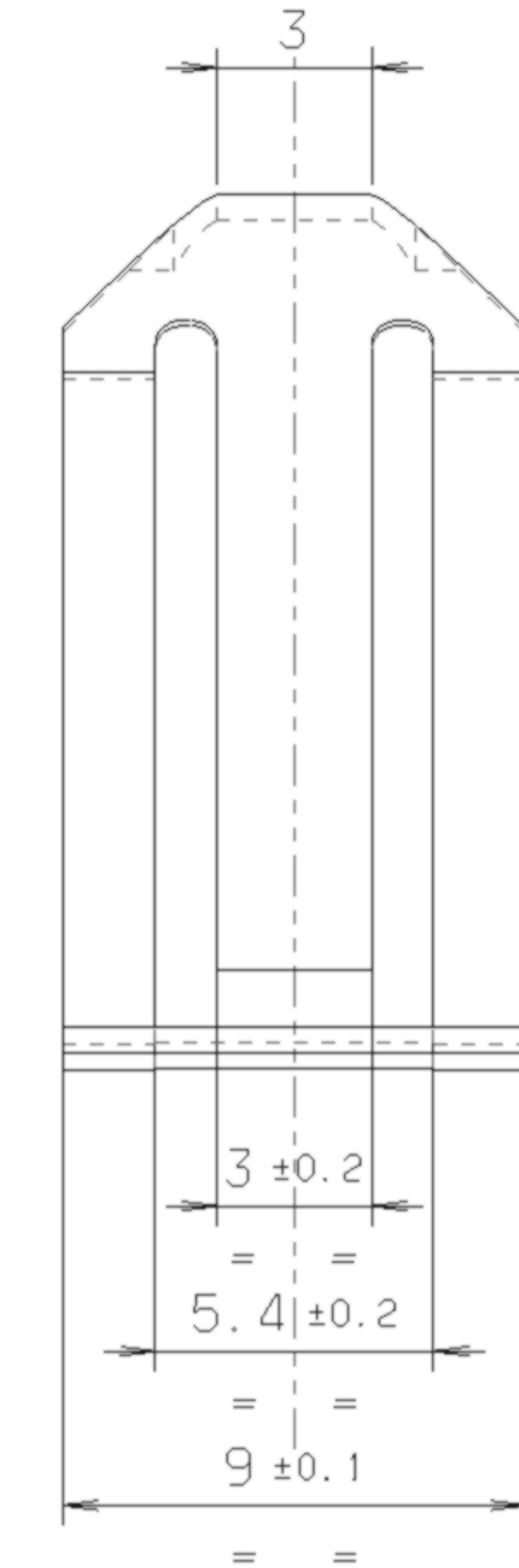
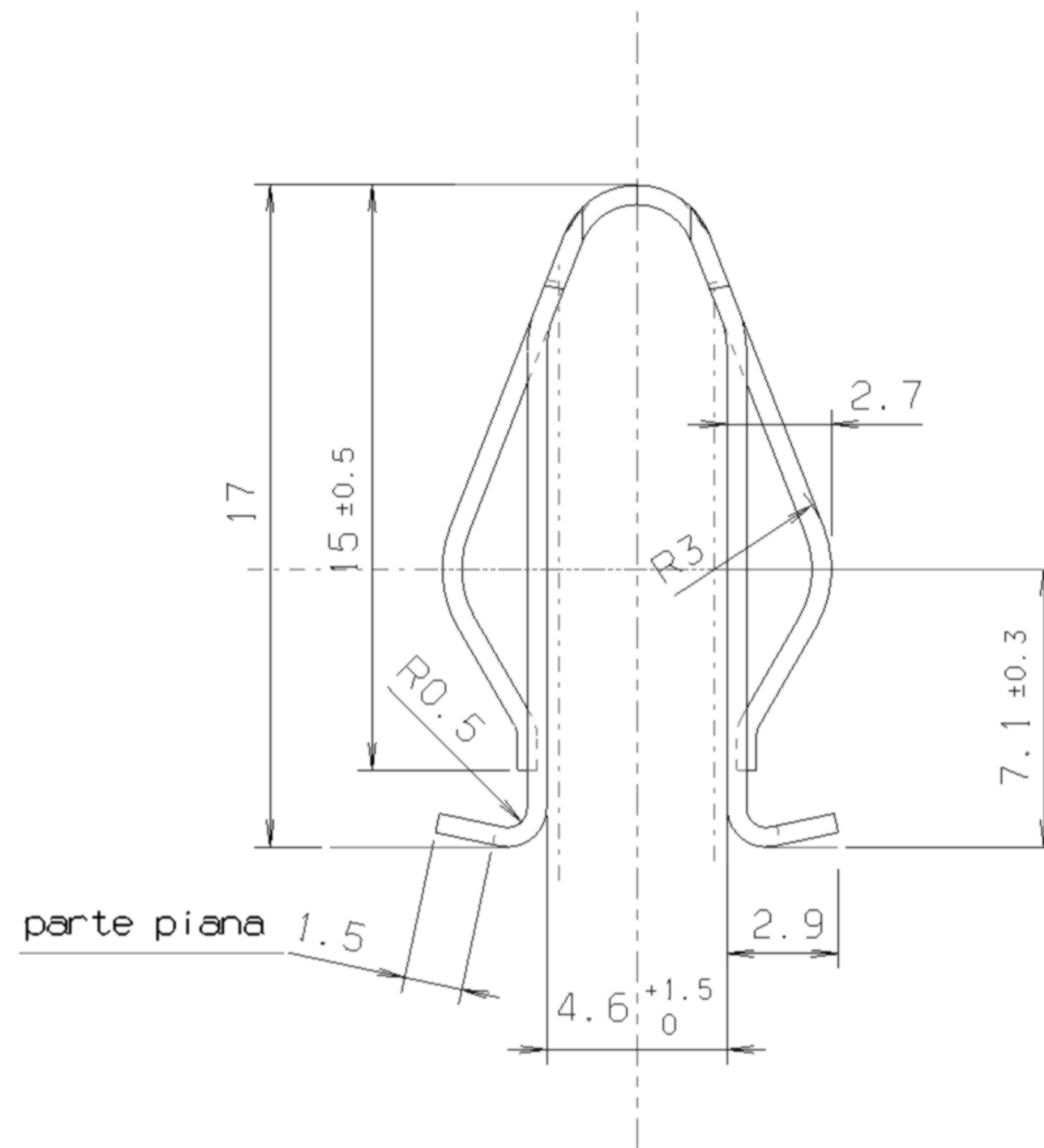


VISTA ISO  
SCALA 1:1



<http://www.cergy-vis.fr>  
**[CERGY-VIS]**  
 ET SI ON PARLAIT SERVICE

COD. TPO:

B	//	aggiornato quotatura	08/05/06	R. C. B. G.
A	//	ridisegnato per variato sviluppo	20/03/06	R. C. B. G.
IND	N. QUOTE	DESCRIZIONE / DESCRIPTION	DATE	NAME

MODIFICHE / MODIFICATIONS



A. Raymond Italiana s.r.l.  
 Strada Prov. Le To-Svizzera 41-13040 CARISIO (VC) - Tel. 0161937311/Tix 222439/Fax 0161971059

CONDIZIONI DI USO		CLIENTE/CUSTOMER:		
<p>This drawing and all information (the Drawing) disclosed are the exclusive property of A. Raymond. By using this Drawing the Addressee acknowledges and accepts that this Drawing (1) is covered by A. Raymond intellectual property rights or know-how and (2) is provided under the following conditions who represent a Deposit Agreement. This Drawing is for Addressee internal use only limited to its estimation, without any limitation, no permission or rights for any purpose, is hereby granted, such as, without any limitation, (1) the copy, in part or entirely (2) and/or the presentation, in part or entirely, to any other third party outside the Addressee company or in the company but with no interest (3) and/or the distribution of the Drawing, in part or entirely, in any medium (4) and/or the creation of any derivative work. In case of breach of these conditions, Addressee shall indemnify A. Raymond from and against all damages (compensatory or consequential), costs, expenses and charges, caused or arising out of or attributable to its willful misconduct, fraud, negligence, infringement of A. Raymond intellectual property rights. If the Addressee does not accept these conditions, please notify A. Raymond sender immediately. Per problemi di incomprensione, prega richiedere la versione Italiana ad A. Raymond prima dell'utilizzo del disegno.</p>		RIFERIMENTO/NUMBER:		
		BREVETTI / PATENTS:		DATA / DATE: 22/12/05
		FORMAT A3		DISEGNO / DESIGNER: RUFFILLI
		SCALA / SCALE: 5:1		U.T.P.: BODO
		GENERAL TOLERANCE QUOTE / DIMENSIONS		U.T.D.: MAGA
		ANGOLI / ANGLES		PRODUC. / PRODUCT.: VARALDA
		PESO / WEIGHT: (g)		QUALITA' / QUALITY: CASCIANO
		TRATTAMENTO SUPERFICIALE O COLORE / SURFACE TREATMENT OR COLOR:		
		Fosfatato FAR Z 10M (CAP FIAT 9.57408)		
		TRATTAMENTO / TREATMENT:		
Temprato fra 42-46 HRC				
MATERIALE / MATERIAL:				
Acciaio C72 Nastro Bon. (Tab. FIAT 52554)				
DENOMINAZIONE / PARTNAME:				
MOLLETTA METALLICA DI AGGANCIO METAL-MOULDING FASTENER				
PROD. LINE: 01	PROD. FAMILIES: 30			
NUMERO / NUMBER:		204469.000 C		