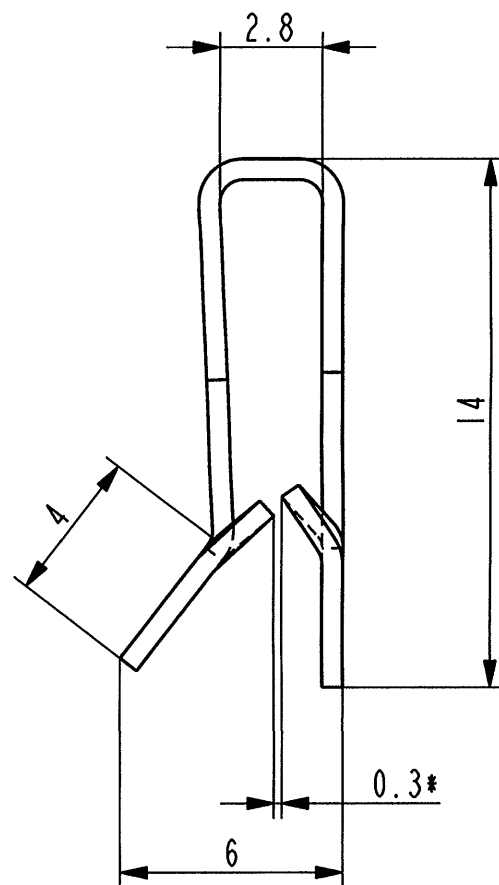
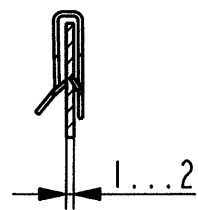


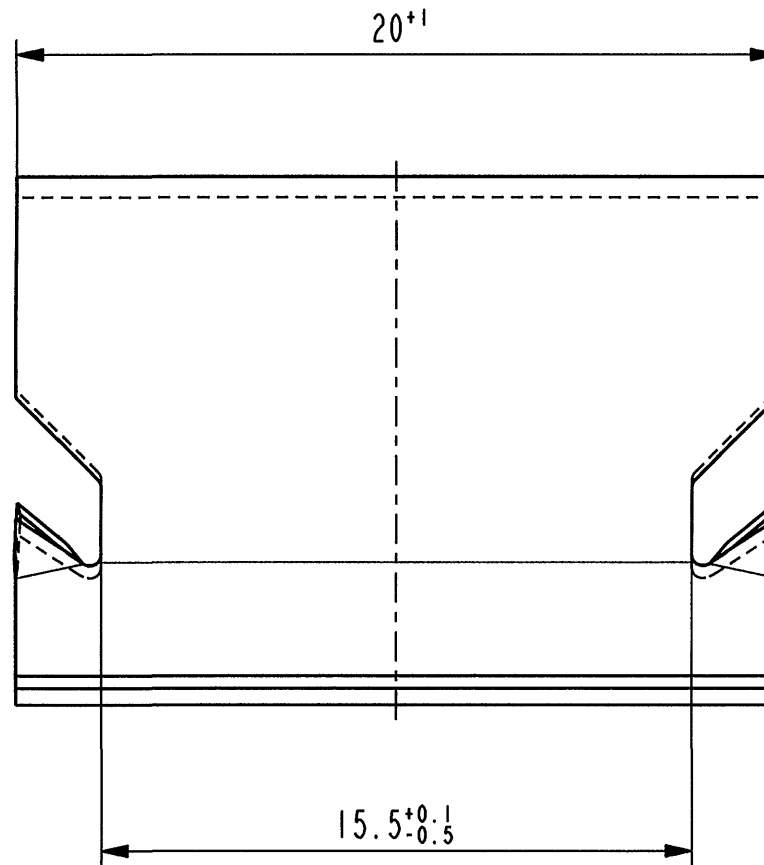
3D-Ansicht
1:1



*(bei Mass 0.3)



Einbausituation
1:1



(Aa)	011454 004	verzinkt/passiviert farblos	3250
	011454 003	metallh. Korrosionsschutz- beschichtung, Farbe schwarz	5451
	011454 002	phosphatiert/impraegniert	5100
	Teil-Nr. / Part-No.	Oberflaeche / Farbe / Finish / colour	Kennzahl / Code
	Ausfuhrung / Execution		

Vor Auslegung einer automatisierten Verarbeitung des Teils sollte Ruecksprache mit Fa. A.Raymond gehalten werden.
 Fully automatic processing of the part requires prior consultation with A.Raymond GmbH.

-	-	-	-	-
-	-	-	-	-
-	-	-	-	-
-	-	-	-	-
-	-	-	-	-
-	-	-	-	-
-	-	-	-	-
-	-	-	-	-
-	-	-	-	-
-	-	-	-	-
Aa	Ix	Indexreform, Art.-Nr. gem. SAP geaendert	15.05.06	mj
-	-	Oberflaechenvariante hinzugefuegt	-	-
Ind.	kommt vor/ how often	Beschreibung / Description	Datum/Date	Name

Anderungen / Modifications

Format DIN A3
 SPEZIALBEFESTIGUNGSSYSTEME WELTWEIT / ENGINEERED FASTENERS WORLDWIDE

Bei Verstaendnisproblemen beantragen Sie bitte beim Absender die deutsche Fassung vor jeder Anwendung.
 "CONDITIONS OF USE"
 This drawing and all information (the "Drawing") disclosed are the exclusive property of A.Raymond. By using this Drawing the Addressee acknowledge and accept that this Drawing (1) is covered by A.Raymond' intellectual property rights or know-how and (2) is provided under the following conditions who represent a Deposit Agreement. This Drawing is for Addressee' internal use only limited to its estimation. Without prior written consent of A.Raymond, no permission or rights for any purpose, is hereby granted, such as, without any limitation, (1) the copy, in part or entirely (2) and/or the presentation, in part or entirely, to any other third party outside the Addressee' company or in the company but with no interest (3) and/or the distribution of the Drawing, in part or entirely, in any medium (4) and/or the creation of any derivative work. In case of breach of these conditions, Addressee shall indemnify A.Raymond from and against all damages (compensatory or consequential), costs, expenses and charges, caused or arising out of or attributable to its willful misconduct, fraud, negligence, infringement of A.Raymond' intellectual property rights. If the Addressee does not accept these conditions, please notify A.Raymond' sender immediately.

Dateiname/ Filename	CAD-PE: 011454_C_01		
Ersatz fuer/ Substitute for	011454 Ind. 4 v. 31.03.1995	Proj.-Nr./ Proj.-No.	52023
		RASCH- Code	CCA--
		Vol.(mm ³)	-
		Gewicht/ Weight (g)	-

Schutzrechte/ Patent rights	vorbehalten / all rights reserved		
Gepr./ App.	F.-gepr./ Produktion	O.-gepr./ Quality	S.-gepr./ Patent app.
Masstab / Scale	Allgem.Tol. wenn nicht anders angegeben/ General tol. unless otherwise specified	Datum/ Date	15.05.2006
	±0.3	Gez./ Drawn	M. Junge

Oberflaechenbehandlg./ Finish	verzinkt / goldbraunchromatiert	Kennzahl/ Code number	3400
----------------------------------	---------------------------------	--------------------------	------

Werkstoffbehandlg./ Material treatment	zwischenstufenverguetet 375 ... 475 HV 5	Blechdicke/ Mat.Thickn. DIN EN 10 140	0.6
---	---	---	-----

Werkstoff/ Material	C 67 S DIN EN 10 132-4	Mat.-Code	1000
------------------------	------------------------	-----------	------

Benennung/
Partname
 U-Klammer

Teil-Nr./ Part-No.	011454 001	C
-----------------------	------------	---