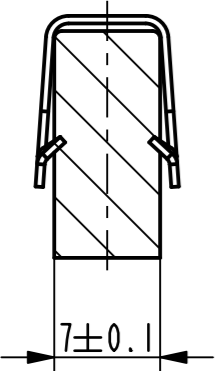
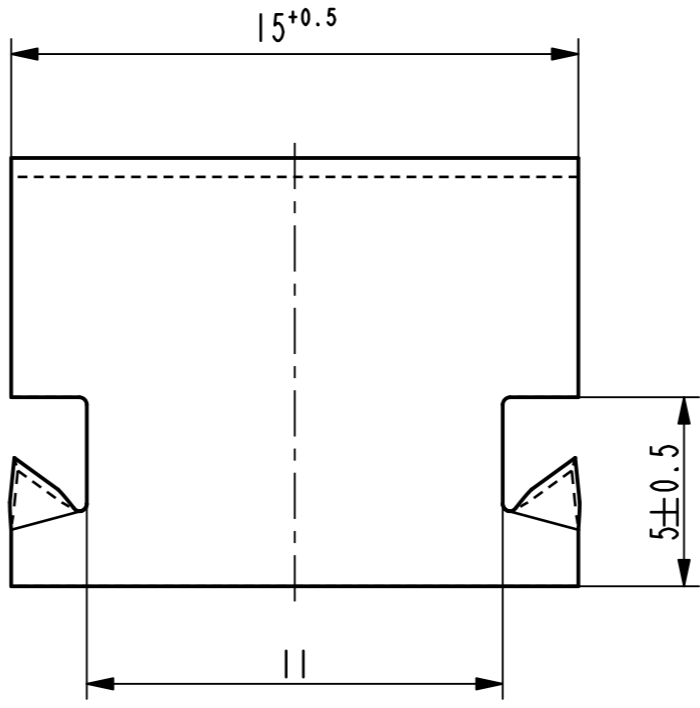
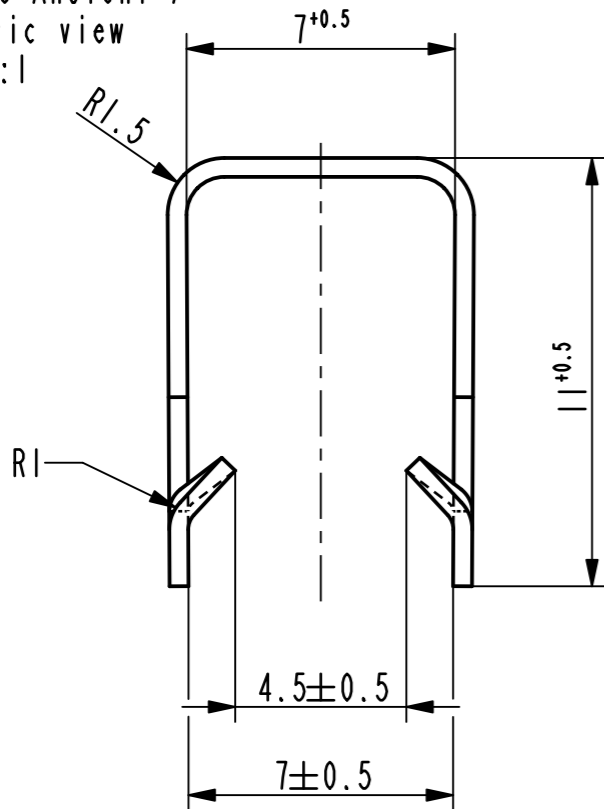


Isometrische Ansicht /  
isometric view  
2:1



Einbausituation /  
assembly situation  
2:1

|                         |  |   |                              |
|-------------------------|--|---|------------------------------|
| Ae                      | 012204-0-13                              | metallhaltige Korrosionsschutzbeschichtung, Farbe silber, GZ<br>metallic corrosion protection coated, colour silver, lubricated | 4001                         |
|                         | 012204-0-12                              | mechanisch verzinkt / passiviert farblos, Gleitmitteldeckschicht<br>mechanical zinc plated / passivated colourless, lubricated  | 3630                         |
|                         | 012204-0-11                              | metallhaltige Korrosionsschutzbeschichtung, Farbe silber, GZ<br>metallic corrosion protection coated, colour silver, lubricated | 4004                         |
|                         | 012204-0-10                              | Zink-Eisen beschichtet / passiviert, Farbe schwarz / Versiegelung<br>zinc-iron plated / passivated, colour black / sealed       | 7621                         |
|                         | 012204-0-09                              | verzinkt / passiviert farblos<br>zinc plated / passivated colourless  | 3250                         |
|                         | 012204-0-06                              | impraegniert<br>oiled   | 7000                         |
|                         | 012204-0-05                              | metallhaltige Korrosionsschutzbeschichtung, Farbe schwarz<br>metallic corrosion protection coated, colour black                 | 5451                         |
|                         | 012204-0-04                              | metallhaltige Korrosionsschutzbeschichtung, Farbe silber<br>metallic corrosion protection coated, colour silver                 | 5410                         |
| Teil-Nr. /<br>part no.  | Oberflaeche / Farbe /<br>finish / colour |   | Oberfl. Code/<br>finish code |
| Ausfuehrung / Execution |  |   |                              |

Vor Auslegung einer automatisierten Verarbeitung des Teils sollte Ruecksprache mit Fa. A.Raymond gehalten werden.  
Fully automatic processing of the part requires prior consultation with A.Raymond GmbH.

|   |   |   |   |   |
|---|---|---|---|---|
| - | - | - | - | - |
| - | - | - | - | - |
| - | - | - | - | - |
| - | - | - | - | - |
| - | - | - | - | - |
| - | - | - | - | - |
| - | - | - | - | - |
| - | - | - | - | - |
| - | - | - | - | - |
| - | - | - | - | - |

|      |                     |   |            |      |
|------|---------------------|---|------------|------|
| Ae   | lx                  | Oberflaechenvariante -13 (4001)hinzugefuegt       | 18.04.12   | toH  |
| Ad   | -                   | Oberflaechenvariante entfernt (3x)                | 08.07.10   | mj   |
| Rev. | Anzahl/<br>quantity | Aenderungsbeschreibung / modification description | Datum/date | Name |

**ARaymond**  
A RAYMOND GmbH & Co.KG  
Teichstrasse 57  
Germany - 79511 Loerrach  
Phone +49 (0) 7621 174-0  
Fax +49 (0) 7621 174-225

Bei Verstaendnisproblemen beantragen Sie bitte beim Absender die deutsche Fassung vor jeder Anwendung.  
"CONDITIONS OF USE"  
This drawing and all information (the "Drawing") disclosed are the exclusive property of A.Raymond. By using this Drawing the Addressee acknowledges and accepts that this Drawing (1) is covered by A.Raymond' intellectual property rights or know-how and (2) is provided under the following conditions who represent a Deposit Agreement. This Drawing is for Addressee' Internal use only limited to its estimation. Without prior written consent of A.Raymond, no permission or rights for any purpose, is hereby granted, such as, without any limitation, (1) the copy, in part or entirely, (2) and/or the presentation, in part or entirely, to any other third party outside the Addressee' company or in the company but with no interest (3) and/or the distribution of the Drawing, in part or entirely, in any medium (4) and/or the creation of any derivative work. In case of breach of these conditions, Addressee shall indemnify A.Raymond from and against all damages (compensatory or consequential), costs, expenses and charges, caused or arising out of or attributable to its willful misconduct, fraud, negligence, infringement of A.Raymond' intellectual property rights. If the Addressee does not accept these conditions, please notify A.Raymond' sender immediately.

|  |   |   |                               |                                      |
|--|---|---|-------------------------------|--------------------------------------|
| Schutzrechte/<br>patent rights           | vorbehalten / all rights reserved                         |   | Rasch Code/<br>classification | CCA--                                |
| Ersatz fuer/<br>substitutue for          | 012204_c_01/Ac/27.07.2009                                 | Entw.Ref./<br>dev.ref.                  | Projekt-Nr./<br>project no.   |                                      |
| Maasstab/<br>scale                       | Format  | Allgemeintoleranz/<br>general tolerance | Datum/<br>date                | 08.07.2010                           |
|  |   |   | Erstellt von/<br>prepared by  | M. Junge                             |
| Projektion / projection                  | ALL DIMENSIONS ARE<br>IN MILLIMETERS                      | Freigegeben/<br>approved                | 20120418060102                |                                      |
|  | Bleedicke/<br>mat. thickness<br>DIN EN 10140              | 0.50                                    | Volumen/<br>volume (mm³)      | 206.0                                |
|  |   |   | Gewicht/<br>weight (g)        | 1.7                                  |
| Oberfl. /<br>finish                      | phosphatiert / impraegniert<br>phosphated / oiled         |   |                               | Oberfl. Code/<br>finish code<br>5100 |
| Werkstoffbehandl./<br>material treatment | zwischenstufenverguetet / austempered<br>435 ... 535 HV 5 |   |                               |                                      |
| Werkstoff/<br>material                   | C67S DIN EN 10132-4                                       |   |                               | Mat. code<br>1000                    |

|                                     |                        |                                  |
|-------------------------------------|------------------------|----------------------------------|
| Benennung/<br>title                 | U-Klammer<br>edge clip |                                  |
| Teil-Nr. /<br>part no.              | 012204-0-03            | Drawing type<br>Customer         |
| Kundenteile-Nr. / customer part no. | -                      | Blatt / sheet 1 / 1              |
| CAD system & version                | ProE WF3               | Dateiname / filename 012204-0C00 |