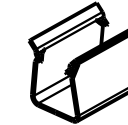
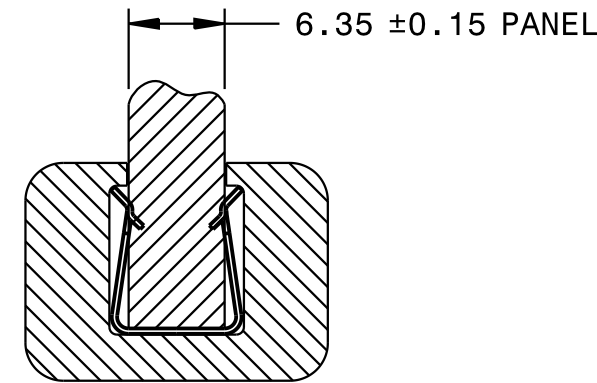


Variant	Finishes
01	6002 WATER BASED METALLIC BASE COAT + CLEAR TOPCOAT
02	3001 ZINC ELECTROPLATE
03	5100 PHOSPHATE + OIL
04	4004 METALLIC BASE COAT + SILVER METALLIC TOPCOAT

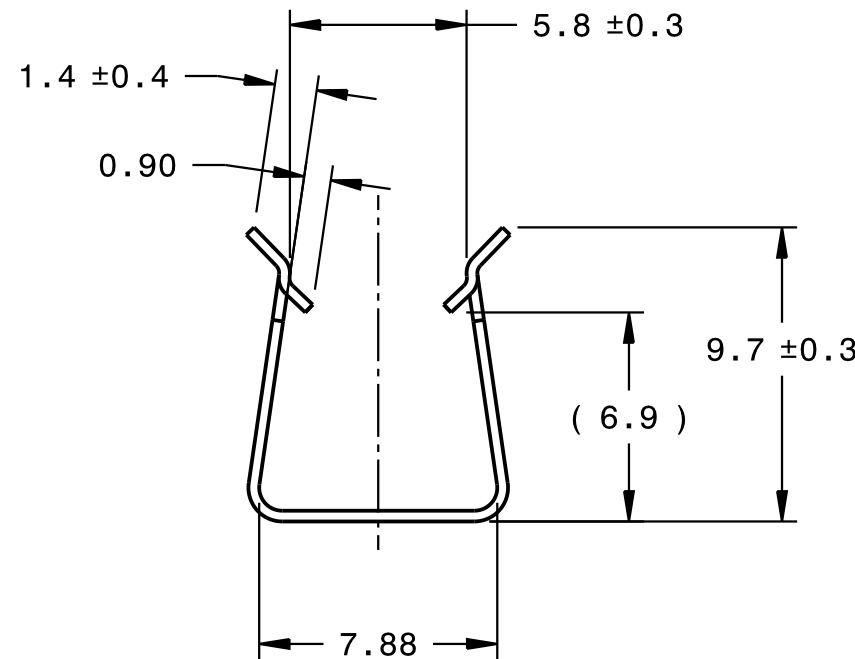
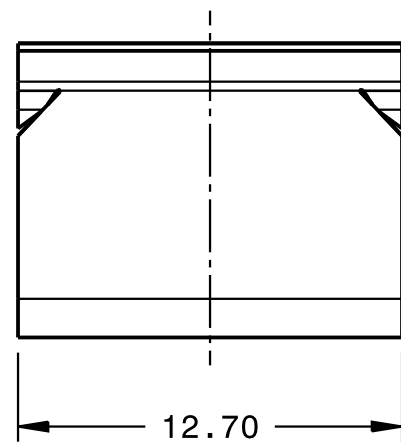
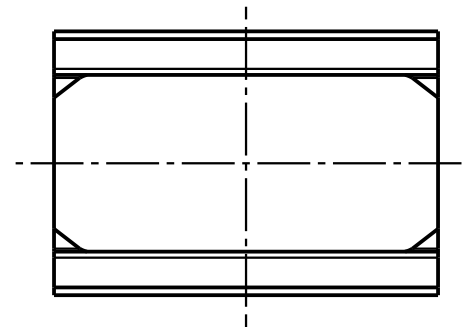
Automatic processing of the part requires prior consultation with A.Raymond TINNERMAN.



ISOMETRIC VIEW  
SCALE: 1:1



TYPICAL ASSEMBLY  
SCALE: 2:1



**ARaymond TINNERMAN**

© 2014 A.RAYMOND TINNERMAN AUTOMOTIVE, Inc.  
3091 RESEARCH DRIVE - ROCHESTER HILLS MI, 48309; PHONE (248) 537-3100

"CONDITIONS OF USE"

This drawing and all information (the "Drawing") disclosed are the exclusive property of A.Raymond. By using this Drawing the Addressee acknowledges and accepts that this Drawing (1) is covered by A.Raymond intellectual property rights or know-how and (2) is provided under the following conditions who represent a Deposit Agreement. This Drawing is for Addressee internal use only limited to its estimation. Without prior written consent of A.Raymond, no permission or rights for any purpose, is hereby granted, such as, without any limitation, (1) the copy, in part or entirely, (2) and/or the presentation, in part or entirely, to any other third party outside the Addressee company or in the company but with no interest, (3) and/or the distribution of the Drawing, in part or entirely, in any medium, (4) and/or the creation of any derivative work. In case of breach of these conditions, Addressee shall indemnify A.Raymond from and against all damages (compensatory or consequential), costs, expenses and charges, caused or arising out of or attributable to its willful misconduct, fraud, negligence, infringement of A.Raymond Intellectual Property rights. If the Addressee does not accept these conditions, please notify A.Raymond sender immediately.

Intellectual property rights	ALL RIGHTS RESERVED	Classification code	CCA--
Project No.	0111-0297	Origin	C45931-014
Project Manager	M. BEYER	Date	11.12.1963
Scale	4:1	Format	A3
General tolerance	ONE PLACE: ± 0.5 TWO PLACE: ± 0.25 ANGULAR: ± 2°	Prepared by	M. PRZYBYL
ALL DIMENSIONS ARE IN MILLIMETERS	Approved by	20140318192915	
Mat. thickness	0.36	Volume (mm³)	123
Weight (g)	1		

Finish: See parts list  
Finish code: -

Material treatment: AUSTEMPER Rc 45-50

Material: 1050-1065 Steel per SAE J403  
Mat. code: 1005

Title: SPEED CLIP - U-CLIP

Reference / Part no.: 136895-0-01  
Drawing type: C-Customer

Customer part no.:  
CAD system & version: CATIA V5 R19 SP9  
File name: 136895-0C00  
Sheet: 1/1

NOTES:

- "T" & "245-255" IDENTIFICATION STAMPS TO APPEAR ON FACE OF PART.



Hb	CHG No.	Revision description	Date	Name
0111-0297		REDRAWN ACCORDING TO SAP; NO PART CHANGE; REV'D DIMENSIONING SCHEMA	25.02.14	MPR

BEWARE SCALE AFTER COPY