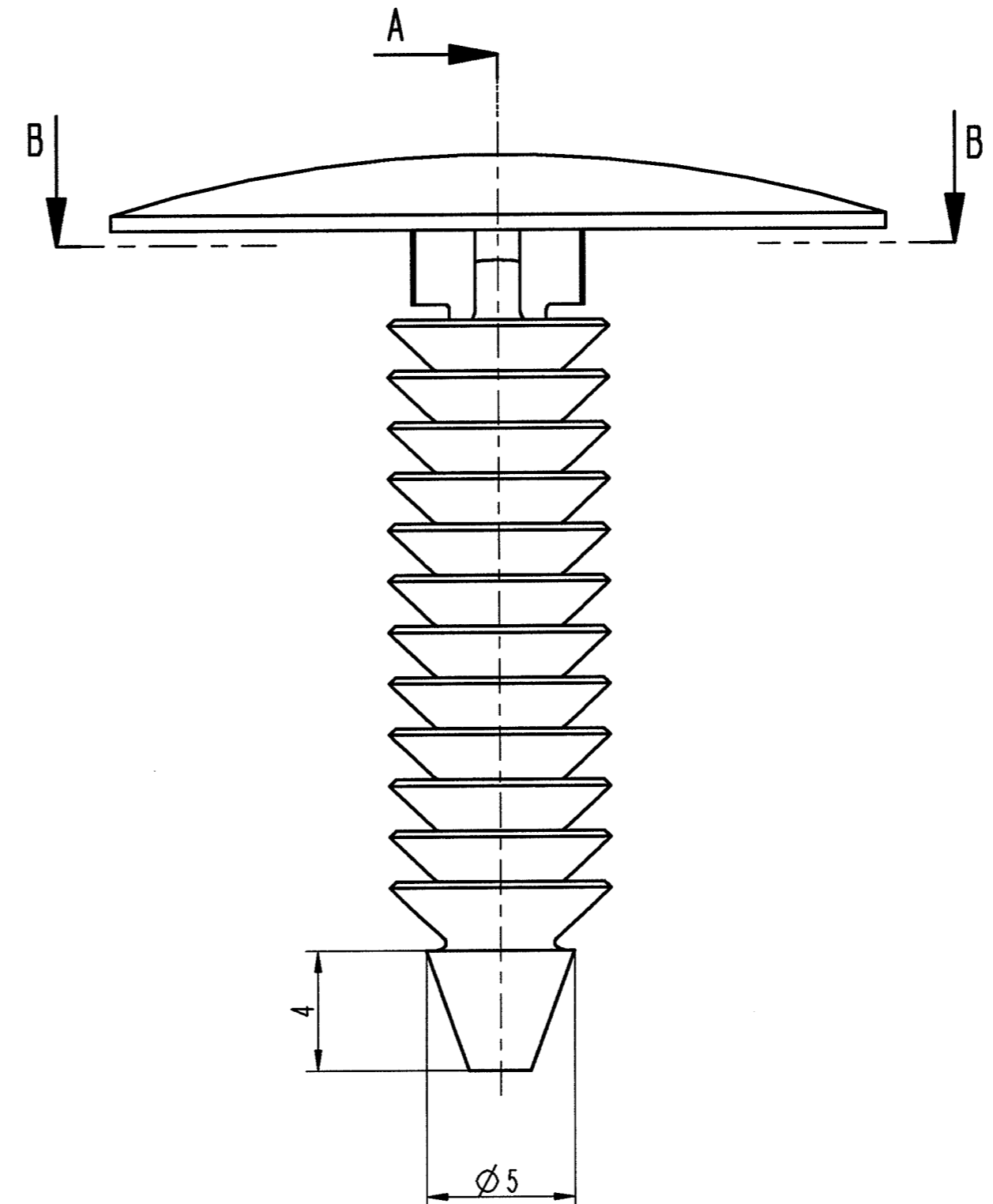
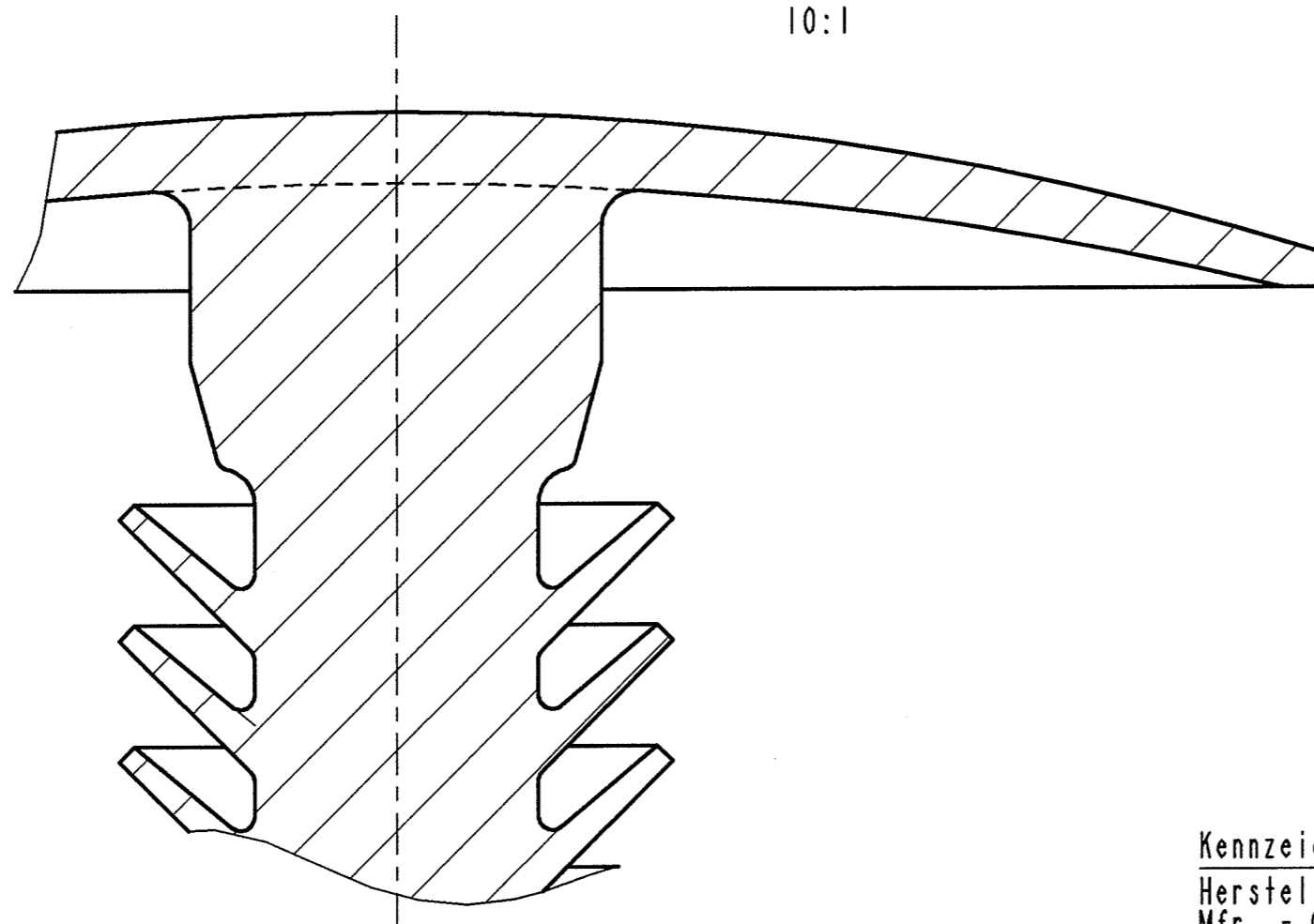
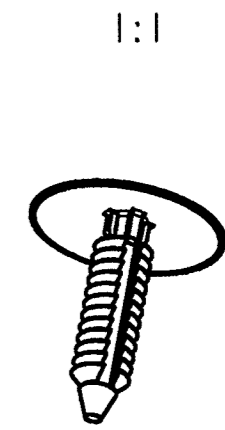
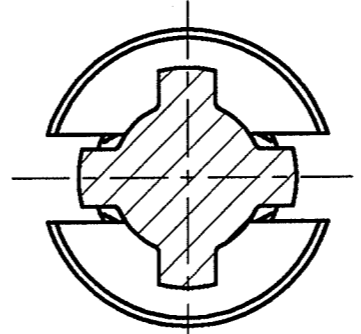


Schnitt / Section A-A
10:1



Schnitt / Section B-B



Befest. - Loch = $\varnothing 6.5^{+0.2}$
 Fastening hole
 Befest. - Dicke = 3.4...19.4
 Fastening thickness

<http://www.cergy-vis.fr>
[CERGY-VIS]
 ET SI ON PARLAIT SERVICE

-	-	-	-
-	-	-	-
-	-	-	-
-	-	-	-
-	-	-	-
Aa	-	Indexreform SAP / keine Teileänderung	28.12.06 kl
Ind.	Formel / low sites	Beschreibung / Description	Datum/Date Name

Aenderungen / Modifications

Format DIN A2
 SPEZIALBEFESTIGUNGSSYSTEME WELTWEIT / ENGINEERED FASTENERS WORLDWIDE

Bei Verständnisproblemen beantragen Sie bitte beim Absender die deutsche Fassung vor jeder Anwendung.
 "CONDITIONS OF USE"
 This drawing and all information (the "Drawing") disclosed are the exclusive property of A-Raymond. By using this drawing the Addressee acknowledges and accepts that this drawing (1) is covered by A-Raymond's intellectual property rights or know-how and (2) is provided under the following conditions who represent a Deposit Agreement. This Drawing is for Addressee' internal use only limited to its estimation. Without prior written consent of A-Raymond, no permission or rights for any purpose, is hereby granted, such as, without any limitation, (1) the copy, in part or entirely (2) and/or the presentation, in part or entirely, to any other third party outside the Addressee' company or in the company but with no interest (3) and/or the distribution of the Drawing, in part or entirely, in any medium (4) and/or the creation of any derivative work. In case of breach of these conditions, Addressee shall indemnify A-Raymond from and against all damages (compensatory or consequential), costs, expenses and charges, caused or arising out of or attributable to its willful misconduct, fraud, negligence, infringement of A-Raymond' intellectual Property rights. If the Addressee does not accept these conditions, please notify A-Raymond' sender immediately.

Dateiname/ Filename	CAD-PE: 019246_C_01		
Ersatz fuer/ Substitute for	19 246.511 vom 08.09.1999	Proj.-Nr./ Proj.-No.	7535-K RASH- Code FAAA-
		Vol. (mm ³)	927 Gewicht/ Weight (g)

Schutzrechte/
Patent rights vorbehalten / all rights reserved

Gepr. / App.	F. gepr. / Produktion	Q. gepr. / Quality	S. gepr. / Patent app.
Masstab / Scale	Allgem. Tol. wenn nicht anders angegeben / General tol. unless otherwise specified		Datum/ Date
5:1	siehe Tabelle / see table		28.12.2006

Oberflächenbehandlg./ Finish	-	Kennzahl/ Code number	-
Werkstoffbehandlg./ Material treatment	-	Bleedstärke/ Met. Thickness, DIN EN 10 146	-

Werkstoff/
Material PA 66 -trockenschlagzaeh, waermestabil
-dry impact strength, heat stabilized

Bezeichnung/
Partname **Stopfen
plug**

Teil-Nr. / Part-No.	019246 000	C
------------------------	------------	---

>400 <= 1000	±2
>120 <= 400	±1.5
> 30 <= 120	±1
> 6 <= 30	±0.5
<= 6	±0.25
Winkel / Angle	±3°

Allgemeintoleranzen fuer
Maesse ohne Toleranz.
General tolerances for
nominal dimensions without
specified tolerance.

Kennzeichnung : / Identification :
 Hersteller - Code
 Mfr. - Code
 Werkstoff - Code VDA 260 > PA 66 <
 Material - Code

019246 000	schwarz black	SW	7000
Teil-Nr. / Part-No.	Oberfläche / Farbe / Finish / colour	Kennzahl/ Code number	Ausführung / Execution