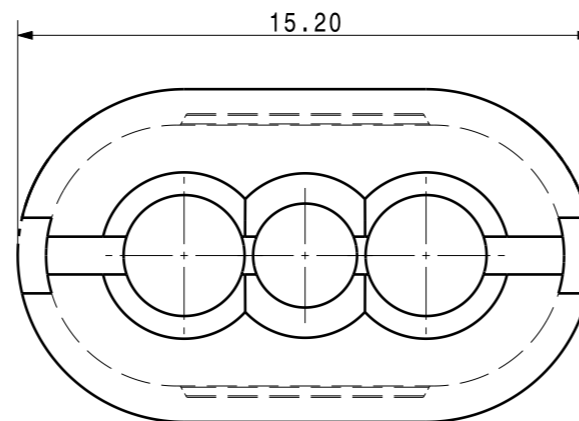
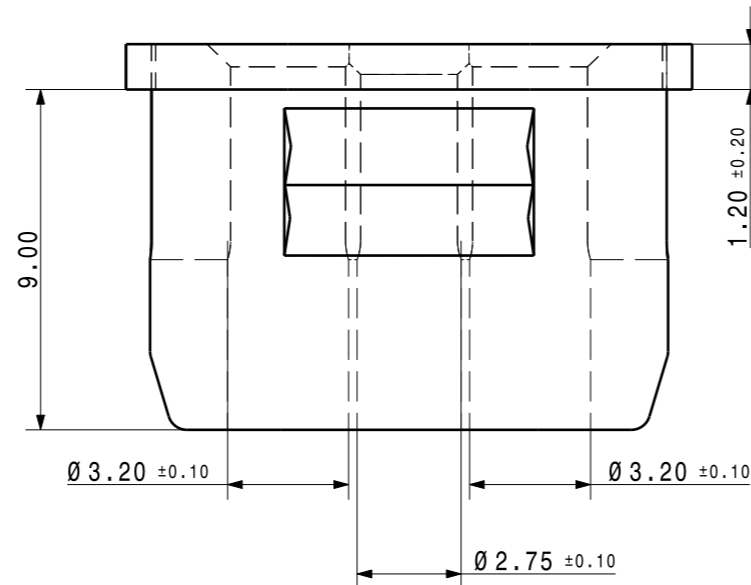
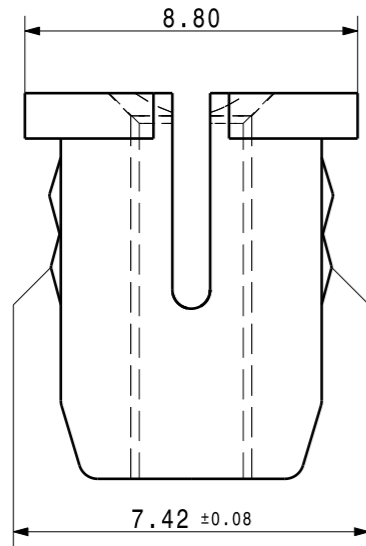


Une consultation préalable de A.Raymond SARL est nécessaire pour toute mise en place de la pièce en automatique.
Automatic processing of the part requires prior consultation with A.Raymond SARL.

OBLONG PUNCHED HOLE 7.20^{+0.05}_{-0.15} x 14 MINI SHEET METAL THICKNESS: 0.60 A 3.00mm
NON ALIGNEMENT : ±3.20 MAXI
SCREW PLASGOB: 60° x Ø4.20mm
OR ST 4.2 SCREW



A Raymond
113 cours Berriat BP 157
France - 38019 Grenoble cedex 1
Tel +33 (0) 4 76 33 49 49
Fax +33 (0) 4 76 78 20 50

Si problème de compréhension, merci de demander la version française à A.Raymond avant toute utilisation.
"CONDITIONS OF USE"
This drawing and all information (the "Drawing") disclosed are the exclusive property of A.Raymond. By using this Drawing the Addressee acknowledges and accepts that this Drawing (1) is covered by A.Raymond intellectual property rights or know-how and (2) is provided under the following conditions who represent a Deposit Agreement. This Drawing is for Addressee internal use only limited to its estimation. Without prior written consent of A.Raymond, no permission or rights for any purpose, is hereby granted, such as, without any limitation, (1) the copy, in part or entirely (2) and/or the presentation, in part or entirely, to any other third party outside the Addressee company or in the company but with no interest (3) and/or the distribution of the Drawings, in part or entirely, in any medium (4) and/or the creation of any derivative work. In case of breach of these conditions, Addressee shall indemnify A.Raymond from and against all damages (compensatory or consequential), costs, expenses and charges, caused or arising out of or attributable to its willful misconduct, fraud, negligence, infringement of A.Raymond Intellectual Property rights. If the Addressee does not accept these conditions, please notify A.Raymond sender immediately.

Brevets / Patent rights		Classification code AC-AD	
N° Projet / Project No.	Origine / Origin	Chef de projet / Project Manager	
Echelle / scale 5:1	Format A3	Tolerance / General tolerance Dimension Angle ± 0.50 ± 5.00°	Date Realise / Prepared by AILHAS.F
ALL DIMENSIONS ARE IN MILLIMETERS		Approuve / Approved 20130123130401	Volume (mm³) 625,7
Epaisseur / Mat. thickness		Poids / Weight (g) 0,9	

Finition / finish
Naturel
Natural

Traitement structural / Material treatment
REPRISE D'HUMIDITE 2% MINI
2% mini of Humidity rework

Matiere / Material
PA66 02-30FV

Libelle / Title
Ecrou pour vis à matériau tendre
Nut for soft material screw

Reference / Part no.
055975-0-00

Ref. client / Customer part no.
Drawing type
C:Customer

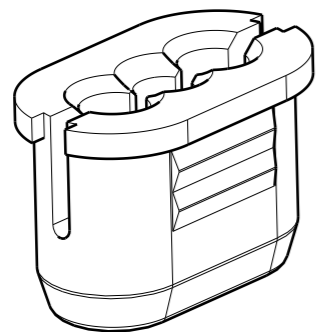
CAD system & version
CATIA V5 R19 SP9

Nom fichier / File name
055975-0C00

Bd	-	UPDATED DRAWING	23.01.13	GPA
Bc	-	UPDATED DRAWING	08.03.11	FAI
REV.	Quant.	Indice / revision description	Date	Name



VUE ISO/3D VIEW
ECHELLE/SCALE : 2:1



VERIFIER L ECHELLE APRES PHOTOCOPIE / BEWARE SCALE AFTER COPY

4
3
2
1

4
3
2
1

H G F E D C B A