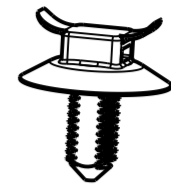
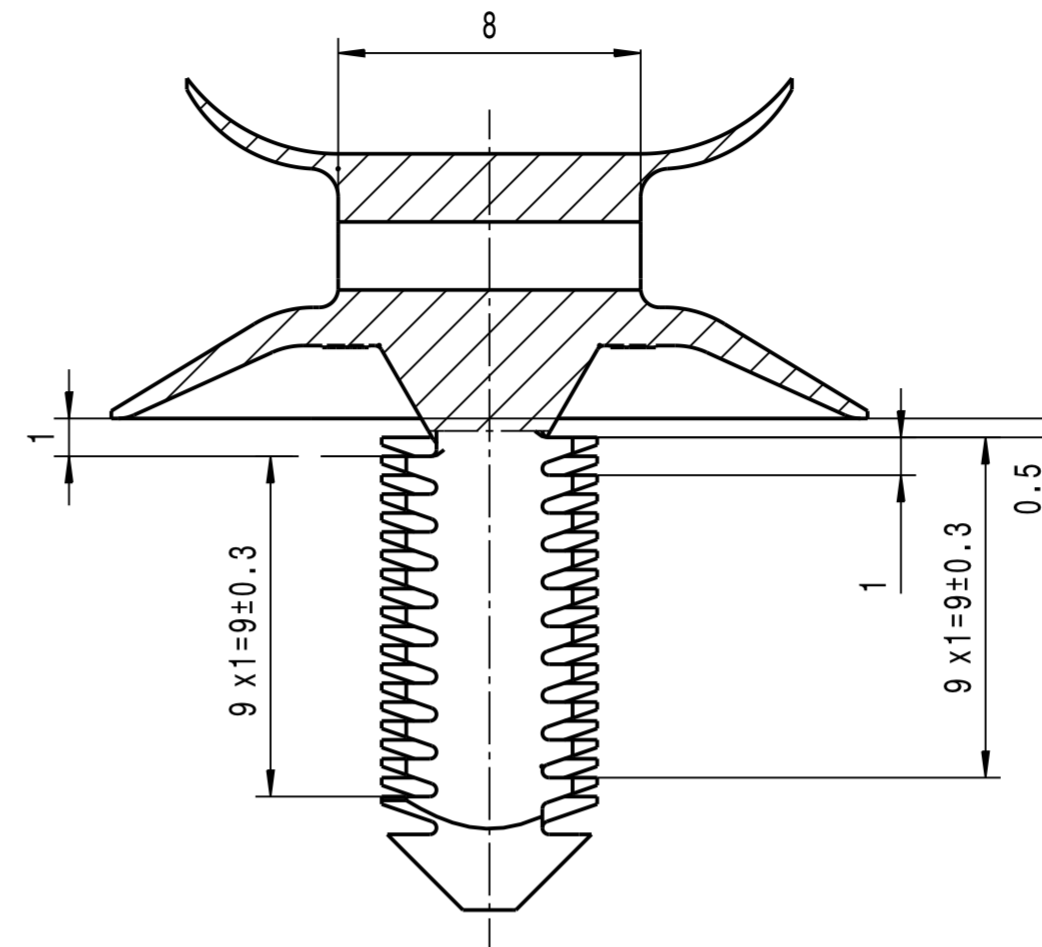
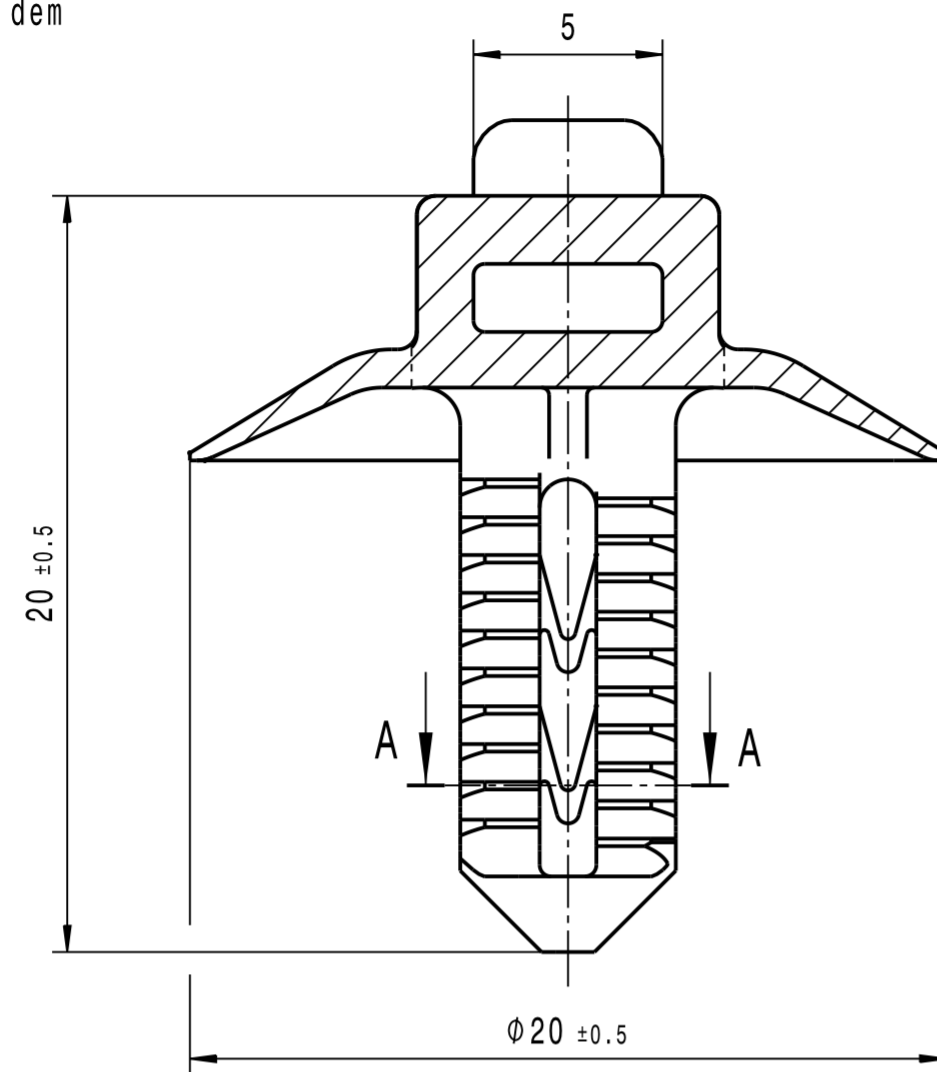


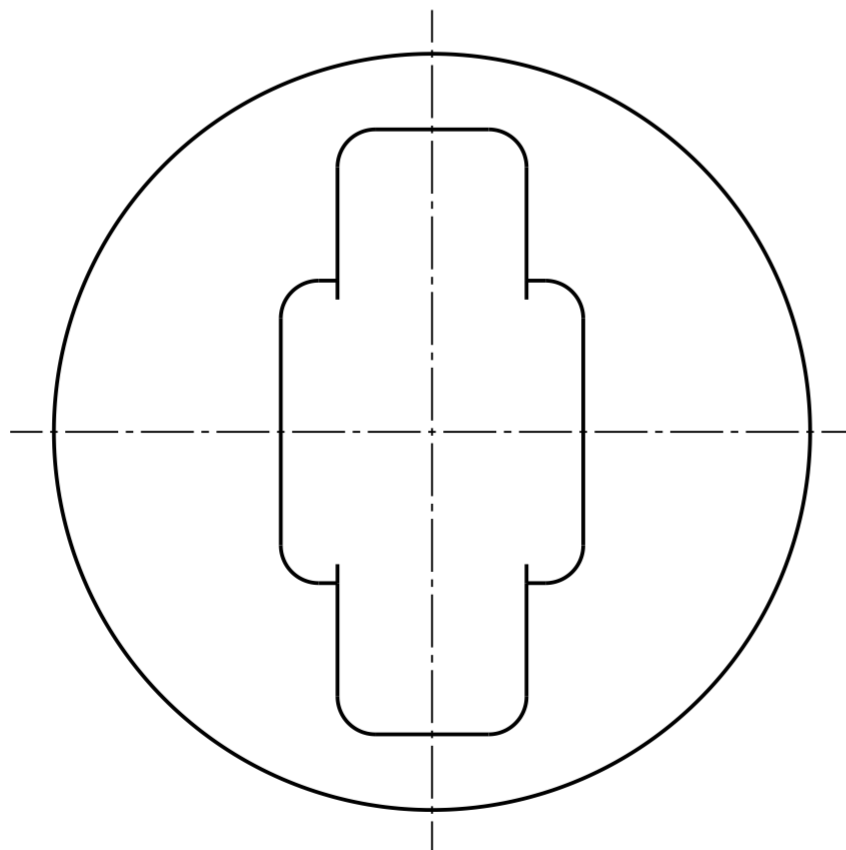
Kennzeichnung: / Identification:
 Hersteller - Code RAY
 Mfr. - Code
 Nest-Nr.
 Cavity-No.

Unbemaste Geometrien sind dem
 3D-Datensatz zu entnehmen
 Undimensioned geometry must
 be taken from 3D-data

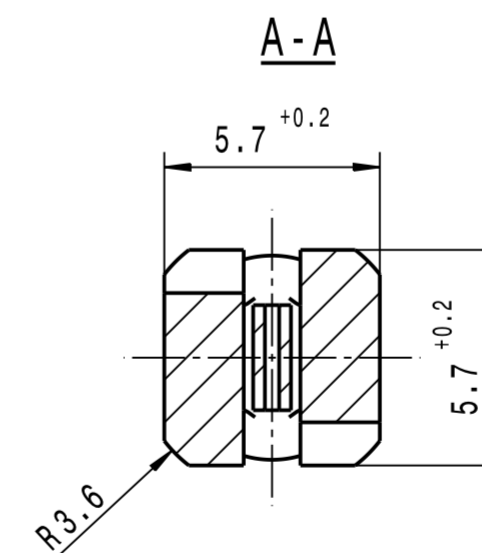


1:1

Befest. - Loch = Ø6,5 ^{+0.2}
 Fastening hole
 Befest. - Dicke = 0,8 . . . 10
 Fastening thickness



Schnitt / section



Rev.	Anzahl/quantity	Aenderungsbeschreibung / modification description	Datum/date	Name
-	-	-	-	-
-	-	-	-	-
-	-	-	-	-
-	-	-	-	-
-	-	-	-	-
-	-	-	-	-
-	-	-	-	-
-	-	-	-	-
-	-	-	-	-
Cc	-	Zeichnung ueberarbeitet nach AR- Gruppenstandard, Teil unveraendert	10.10.11	JN

ARaymond
 A RAYMOND GmbH & Co.KG
 Teichstrasse 57
 Germany - 79511 Loerrach
 Phone +49 (0) 7621 174-0
 Fax +49 (0) 7621 174-2 25

Bei Versandproblemen beantragen Sie bitte beim Absender die deutsche Fassung vor jeder Anwendung.
CONDITIONS OF USE
 This drawing and all information (the "Drawing") disclosed are the exclusive property of ARaymond.
 By using this Drawing the Addressee acknowledges and accept that this Drawing
 (1) is covered by ARaymond Intellectual Property rights or know-how and
 (2) is provided under the following conditions who represent a Deposit Agreement.
 This Drawing is for Addressee internal use only limited to its estimation.
 Without prior written consent of ARaymond, no permission or rights for any purpose, is hereby granted, such as, without any limitation,
 (1) the copy, in part or entirely
 (2) and/or the presentation, in part or entirely, to any other third party outside the Addressee company or in the company but with no interest
 (3) and/or the distribution of the Drawing, in part or entirely, in any medium
 (4) and/or the creation of any derivative work.
 In case of breach of these conditions, Addressee shall indemnify ARaymond from and against all damages (compensatory or consequential), costs, expenses and charges, caused or arising out of or attributable to its willful misconduct, fraud, negligence, infringement of ARaymond Intellectual Property rights. If the Addressee does not accept these conditions, please notify ARaymond sender immediately.

Intellectual Property rights	DBP 62	Classification Code	X- - - -
Ersatz fuer/ substitute for	17 160.642 Index 3 21.06.1994	Entw.Ref./ dev.ref.	Projekt-Nr./ project no. 73849-K
Maßstab/ scale	5:1	Format	A2
Projektion / projection	ALL DIMENSIONS ARE IN MILLIMETERS	Datum/ date	10.10.2011
Erstellt von/ prepared by	J.Nagel	Freigegeben/ approved	20111024110836
Blechtecke/ sheet thickness	DIN EN 10140	Volumen/ volume (mm³)	704
Gewicht/ weight (g)	1	Oberfl. Code/ finish code	

Werkstoffbehandl./ material treatment
 Werkstoff/ material POM Standard
 Mat. code 5007

Benennung/ title
Haltestopfen
 fuer Endlos- / Kabelbaender
 retainingplug
 for endless- / cablestrapes

Teil-Nr./ part no.	017160-0-00	Drawing type	C:Customer
Kundenteile-Nr. / customer part no.		Blatt / sheet	1 / 1
Ausfuehrung / Execution		CAD system & version	CATIA V5 R19
		Dateiname / filename	017160-0c00



017160-0-01	Schwarz black	SW	7000
017160-0-00	Farblos nature	FL	0000
Teil-Nummer / Part-no.	Oberflaeche / Farbe / Finish / colour	Kennzahl/ Code number	