

Kennzeichnung: / Identification:

Hersteller - Code **RG**

Mfr. - Code

Nest-Nr.

Cavity-No.

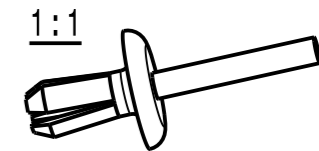


Befest. - Loch = $\varnothing 6^{+0.2}$

Fastening hole

Befest. - Dicke = 7,5 ... 8,6

Fastening thickness



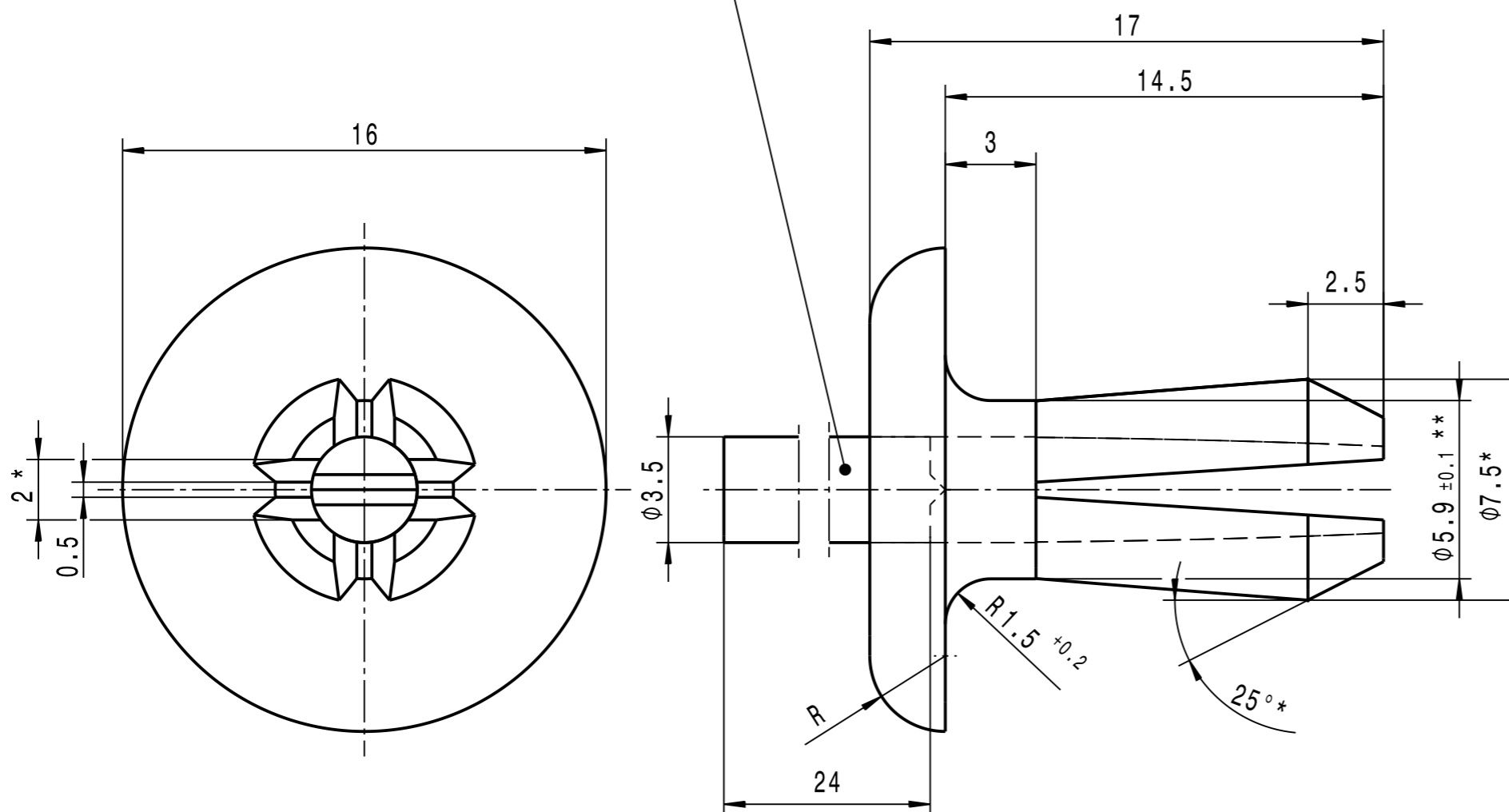
** fuer Faehigkeitsnachweis gilt Sollmass $\varnothing 5.9^{+0.2}_{-0.1}$

for capability analysis valid nominal size $\varnothing 5.9^{+0.2}_{-0.1}$

* Mass ist bei eingedruecktem Stift gemessen

Dimension must be measured with preassembled pin

Stift ca.2mm vormontiert
pin ca.2mm preassembled



-	-	-	-	-
-	-	-	-	-
-	-	-	-	-
Ac	-	Zeichnung ueberarbeitet nach AR- Gruppenstandard, Teil in 3D	02.05.12	Pr
Rev.	Anzahl/ quantity	Aenderungsbeschreibung / modification description	Datum/date	Name



Teichstrasse 57
Germany - 79511 Loerrach
Phone +49 (0) 7621 174-0
Fax +49 (0) 7621 174-2 25

Bei Verstaendnisproblemen beantragen Sie bitte beim Absender die deutsche Fassung vor jeder Anwendung.
"CONDITIONS OF USE"
This drawing and all information (the "Drawing") disclosed are the exclusive property of ARaymond. By using this Drawing the Addressee acknowledge and accept that this Drawing (1) is covered by ARaymond intellectual property rights or know-how and (2) is provided under the following conditions who represent a Deposit Agreement. This Drawing is for Addressee internal use only limited to its estimation. Without prior written consent of ARaymond, no permission or rights for any purpose, is hereby granted, such as, without any limitation, (1) the copy, in part or entirely (2) and/or the presentation, in part or entirely, to any other third party outside the Addressee company or in the company but with no interest (3) and/or the distribution of the Drawings, in part or entirely, in any medium (4) and/or the creation of any derivative work. In case of breach of these conditions, Addressee shall indemnify ARaymond from and against all damages (compensatory or consequential), costs, expenses and charges, caused or arising out of or attributable to its willful misconduct, fraud, negligence, infringement of ARaymond Intellectual Property rights. If the Addressee does not accept these conditions, please notify ARaymond sender immediately.

Intellectual Property rights	vorbehalten / all rights reserved		Classification Code	CAF--
Ersatz fuer/ substitute for	14142/-/07.02.89	Entw.Ref./ dev.ref.	Projekt-Nr./ project no.	
Masstab/ scale	5:1	Format	A3	Datum/ date
Allgemeintoleranz/ general tolerance		140 DIN 16901 / $\pm 2^\circ$		
Datum/ date		02.05.2012		
Erstellt von/ prepared by		Preuß		
Projektion / projection	ALL DIMENSIONS ARE IN MILLIMETERS		Freigegeben/ approved	
Blechdicke/ mat. thickness		DIN EN 10140		-
Volumen/ volume (mm³)		906		Gewicht/ weight (g)
				1.3

Oberfl./ finish		Oberfl. Code/ finish code	
-----------------	--	---------------------------	--

Werkstoffbehandl./ material treatment	
---------------------------------------	--

Werkstoff/ material	POM C hochmolekular POM C high-molecular	Mat. code	5554
---------------------	---	-----------	------

Benennung/ title	Spreizniet spreader rivet		
------------------	------------------------------	--	--

Teil-Nr./ part no.	014142-0-00	Drawing type	C:Customer
--------------------	-------------	--------------	------------

014142-0-00	Schwarz black	SW	7000
Teil-Nummer / Part-no.	Oberflaeche / Farbe / Finish / colour	Kennzahl/ Code number	
Ausfuehrung / Execution			

Kundenteile-Nr. / customer part no.	CAD system & version	CATIA V5 R19	Dateiname / filename	014142-0c00
			Blatt / sheet	1 / 1