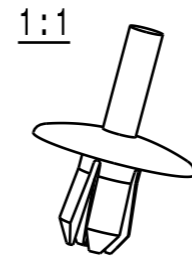
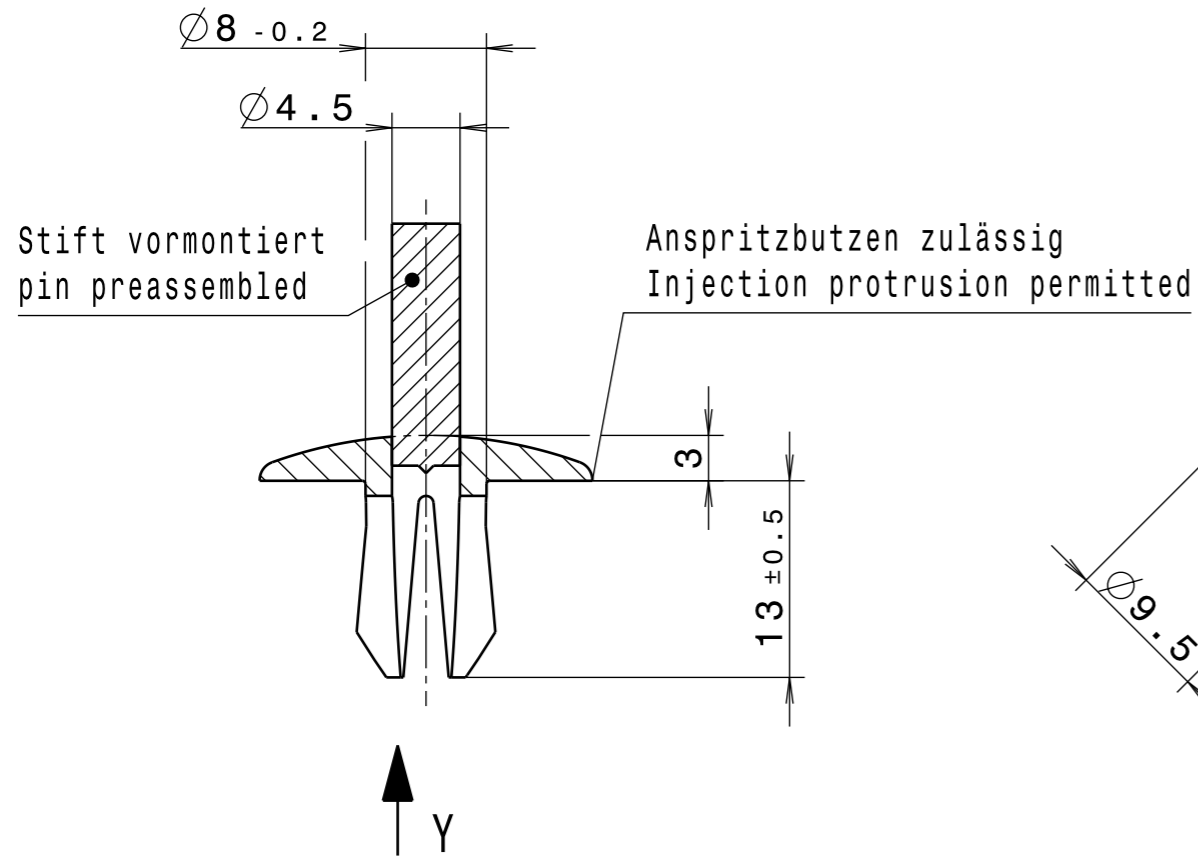


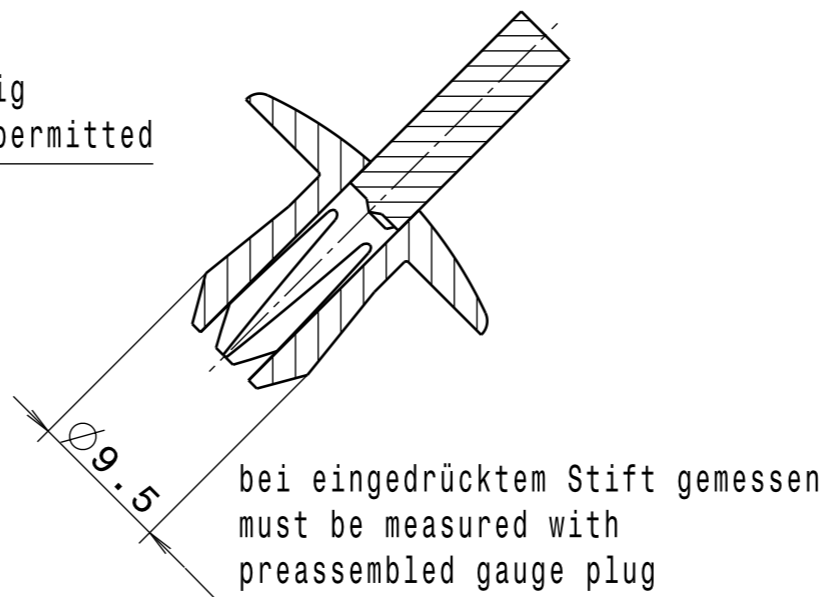
Bef.-Loch fastening hole d + 0.2	Bef.-Dicke fastening thickness
ø8.0	4
ø8.1	5
ø8.2	6
ø8.3	7
ø8.4	8



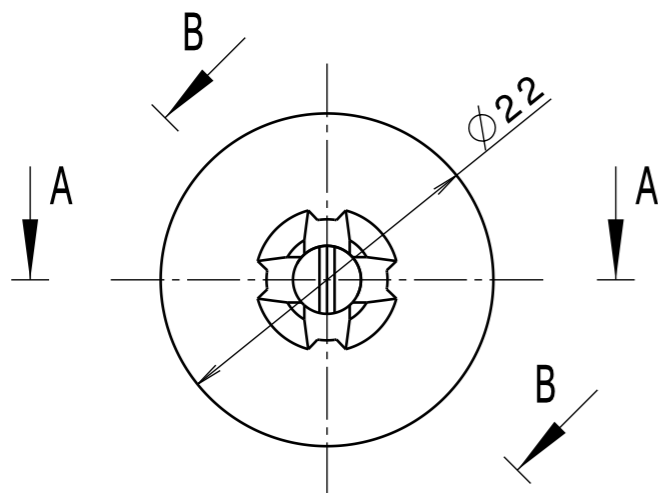
Schnitt / section A-A



Schnitt / section B-B



Ansicht / view Y



014584-0-00	zeltgrau grey	GA	4171
014584-0-01	schwarz black	SW	7000
Teil-Nr. / part-no.	Oberfläche / Farbe / finish / colour	Oberfl.Code / finish code	
Ausführung / execution			

-	-	-	-	-
-	-	-	-	-
-	-	-	-	-
-	-	-	-	-
-	-	-	-	-
-	-	-	-	-
-	-	-	-	-
-	-	-	-	-

Bb	-	Zeichnung ueberarbeitet nach AR- Gruppenstandard, Teil unveraendert	04.01.12	Pr
Ba	-	Neue Urzeichnung (3D)	08.10.07	kü

Rev.	Anzahl/ quantity	Aenderungsbeschreibung / modification description	Datum/date	Name
------	---------------------	---	------------	------

ARaymond
 A RAYMOND GmbH & Co.KG
 Teichstrasse 57
 Germany - 79511 Loerrach
 Phone +49 (0) 7621 174-0
 Fax +49 (0) 7621 174-2 25

Bei Verstaendnisproblemen beantragen Sie bitte beim Absender die deutsche Fassung vor jeder Anwendung.
"CONDITIONS OF USE"
 This drawing and all information (the "Drawing") disclosed are the exclusive property of ARaymond. By using this Drawing the Addressee acknowledge and accept that this Drawing (1) is covered by ARaymond intellectual property rights or know-how and (2) is provided under the following conditions who represent a Deposit Agreement. This Drawing is for Addressee internal use only limited to its estimation. Without prior written consent of ARaymond, no permission or rights for any purpose, is hereby granted, such as, without any limitation, (1) the copy, in part or entirely (2) and/or the presentation, in part or entirely, to any other third party outside the Addressee company or in the company but with no interest (3) and/or the distribution of the Drawings, in part or entirely, in any medium (4) and/or the creation of any derivative work. In case of breach of these conditions, Addressee shall indemnify ARaymond from and against all damages (compensatory or consequential), costs, expenses and charges, caused or arising out of or attributable to its willful misconduct, fraud, negligence, infringement of ARaymond Intellectual Property rights. If the Addressee does not accept these conditions, please notify ARaymond sender immediately.

Schutzrechte/ patent rights	vorbehalten / all rights reserved		Rasch Code/ classification	CAF--
Ersatz fuer/ substitute for	14 584.514, Index 1 vom 11.09.1997	Entw.Ref./ dev.ref.	Projekt-Nr./ project no.	

Masstab/ scale	Format	Allgemeintoleranz/ general tolerance	Datum/ date	08.10.2007
2:1	A3	±0.25 / ±2°	Erstellt von/ prepared by	Kühnle

Projektion / projection	ALL DIMENSIONS ARE IN MILLIMETERS	Freigegeben/ approved	20120105085701	
Blechdicke/ mat. thickness DIN EN 10140	Volumen/ volume (mm³)	1273	Gewicht/ weight (g)	1,3

Oberfl./ finish	-	Oberfl.Code/ finish code	-
--------------------	---	-----------------------------	---

Werkstoffbehandl./ material treatment	-
--	---

Werkstoff/ material	PA 12 halbflexibel PA 12 half flexible	Mat. code	3514
------------------------	---	-----------	------

Benennung/
title
Spreizniet
 plastic rivet

Teil-Nr. / part no.	014584-0-00	Drawing type	C:Customer
------------------------	--------------------	--------------	------------

Kundenteile-Nr. / customer part no.	-	Blatt / sheet	1 / 1
CAD system & version	CATIA V5 R19	Dateiname / filename	014584-0c00