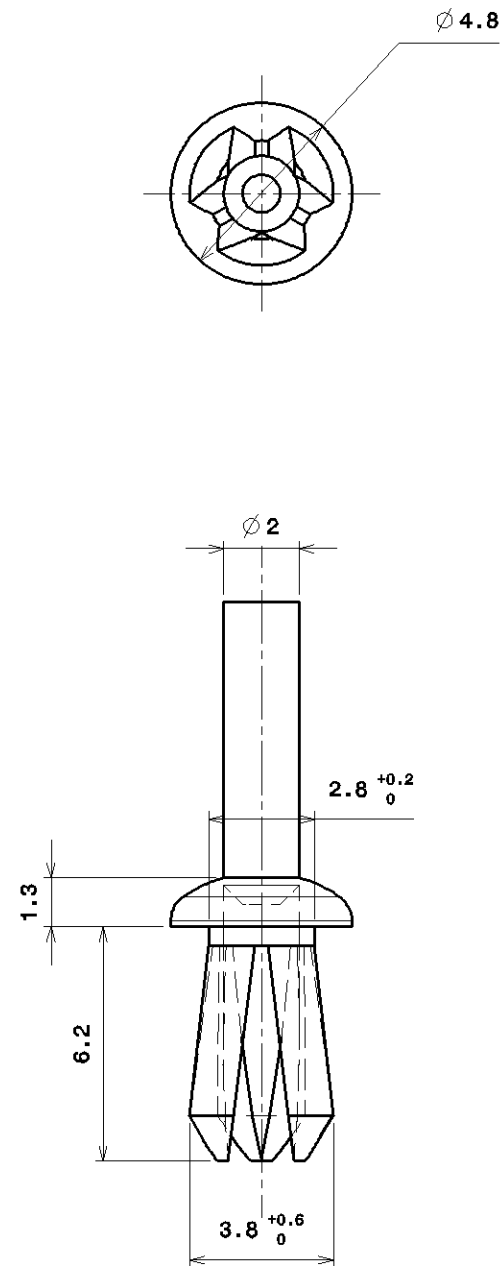
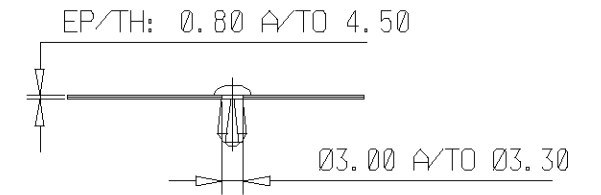


VARIANTE	MATIERE	TRAITEMENT	FINITION
02	POMC 1300 (Type Hostaform C 13021)	Sans / Without	Naturel / Natural
03	POMC 1300 (Type Hostaform C 13021)	Sans / Without	Noir / Black

EXEMPLE D'UTILISATION Ech : 1:1
 USE CONDITION Sc1 : 1:1
 OUTIL DE POSE : P 4.53
 TOOL FITTING : P 4.53



VUE ISO Ech : 1:1
 ISO VIEW Sc1 : 1:1



Ga	Mise à jour plan	27/11/09	FA
Ind	Nb	DESCRIPTIONS / DESIGNATIONS	DATE VISAS
<p>Si problème de compréhension, merci de demander la version française à A-Raymond avant toute utilisation. If the addressee does not accept these conditions, please notify A-Raymond sender immediately. This drawing and all information (the Drawing) disclosed are the exclusive property of A-Raymond. By using this Drawing the Addressee acknowledges and accepts that this Drawing (i) is covered by A-Raymond intellectual property rights or know-how, and, (ii) is provided under the following conditions who represent a Deposit Agreement. This Drawing is for Addressee' internal use only limited to its estimation. Without prior written consent of A-Raymond, no permission or rights for any purpose, is hereby granted, such as, without any limitation, (1) the copy, in part or entirely (2) and/or the presentation, in part or entirely, to any other third party outside the Addressee' company or in the company but with no interest (3) and/or the distribution of the Drawing, in part or entirely, in any medium (4) and/or the creation of any derivative work. In case of breach of these conditions, Addressee shall indemnify A-Raymond from and against all damages (compensatory or consequential), costs, expenses and charges, caused or arising out of or attributable to its willful misconduct, fraud, negligence, infringement of A-Raymond' Intellectual Property rights.</p>			
FORMAT	SCALE / ECH	TH / EP (mm)	VOL (mm ³)
A3	5:1	-	58
		WEIGHT / POIDS (g)	SHEET / PLANCHE
		-	1 / 1
		TOLERANCE	DATE
		±0.50 ±5	17-03-1972
SURFACE TREATMENT OR COLOR / TRAITEMENT DE SURFACE OU COULEUR: Voir tableau / See Table			
MATERIAL TREATMENT / TRAITEMENT STRUCTURAL: Voir tableau / See Table		ACHIEVED / REALISE: PERRIN	
		VISA:	
MATERIAL / MATIERE: Voir tableau / See Table		APPROVED / APPROUVE: -	
		VISA:	
TITLE / LIBELLE: PLASTI-RIVET SIMPLE TETE BOMBE PLASTI-RIVET CURVED HEAD		PATENTS / BREVETS:	
CUSTOMER DATA / REF. CLIENT: -			
NUMBER / NUMERO: 062862 - 0 - 02 C			
118, cours Berriat BP157 98018 Grenoble cedex 1 France ; Tel: 04 78 33 49 49 ; Fax: 04 78 78 20 50			
CATIA V5 CAD FILE, DO NOT MODIFY / PLAN REALISE EN CAO CATIA V5, NE PAS MODIFIER MANUELLEMENT			

VERIFIER L ECHELLE APRES PHOTOCOPIE / BEWARE SCALE AFTER COPY