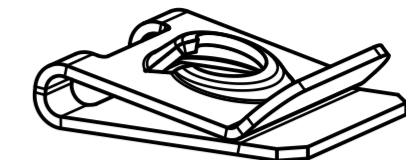
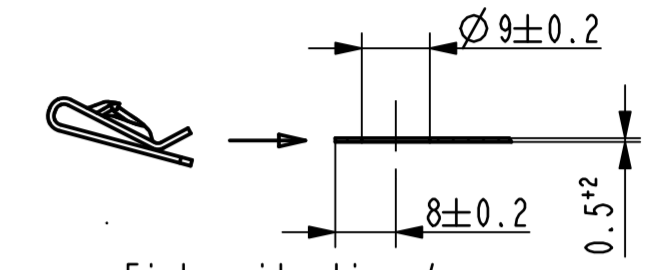


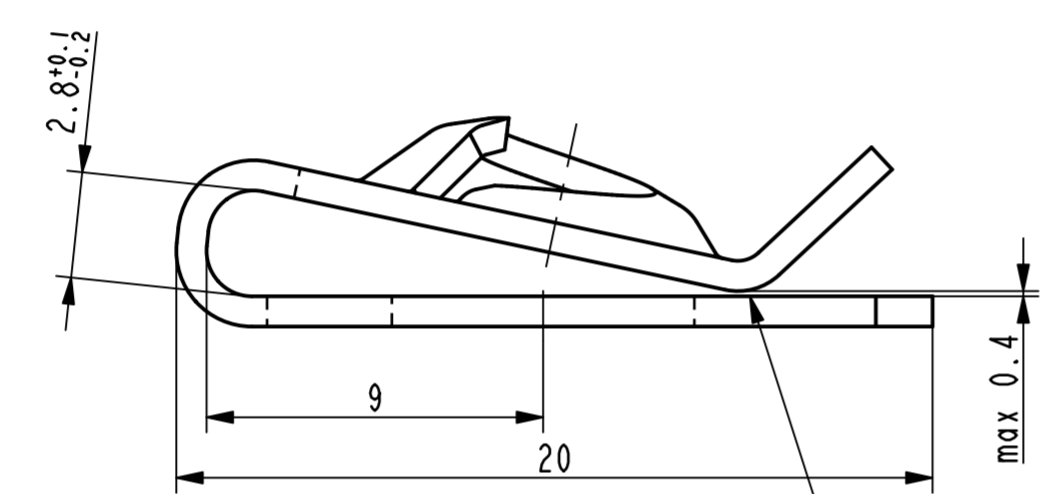
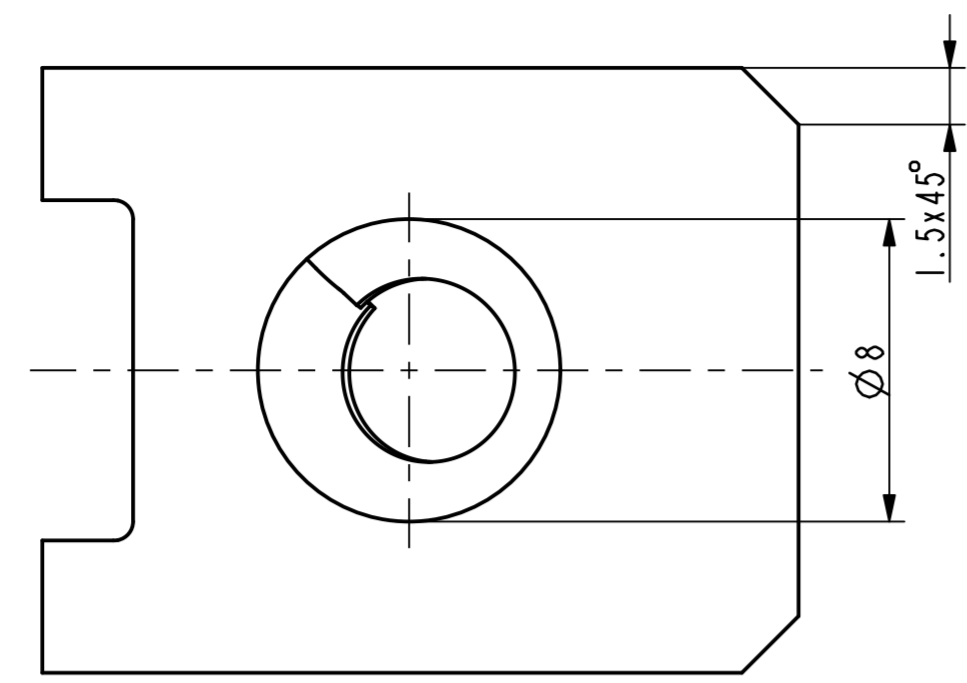
Vor Auslegung einer automatisierten Verarbeitung des Teils sollte Rücksprache mit Fa. A.Raymond gehalten werden.
Fully automatic processing of the part requires prior consultation with A.Raymond GmbH.



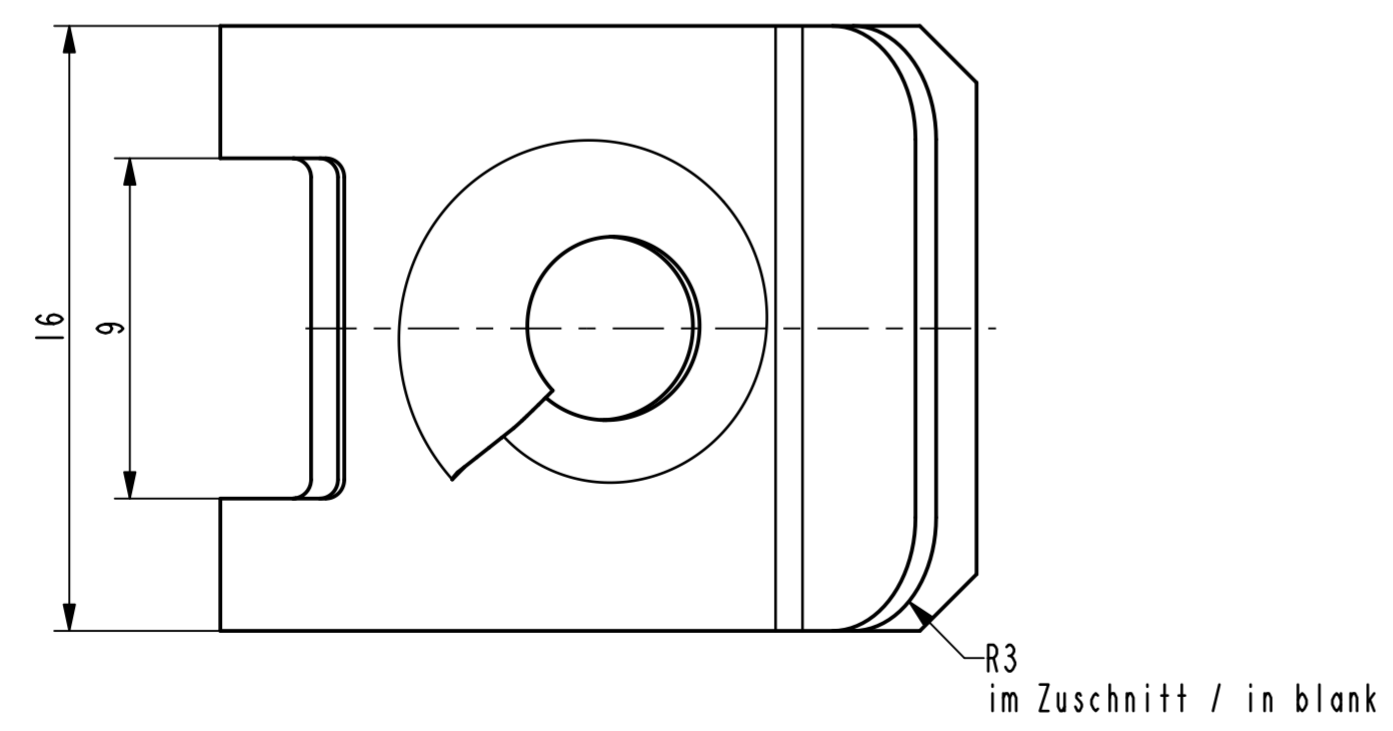
3D-Ansicht /
isometrical view
2:1



Einbausituation /
assembly situation
1:1



Ueberbrueckung der Oeffnung durch metallhaltige Korrosionsschutzbeschichtung zulassig / surface finish bridging permissible



Rev.	Anzahl/quantity	Aenderungsbeschreibung / modification description	Datum/date	Name
Aa	1x	Oberflaechenvariante hinzugefuegt	30.03.11	mj

A Raymond GmbH & Co. KG
Teichstrasse 57
Germany - 79511 Loerrach
Phone +49 (0) 7621 174-0
Fax +49 (0) 7621 174-225

Bei Verstaeandnisproblemen beantragen Sie bitte beim Absender die deutsche Fassung vor jeder Anwendung.
"CONDITIONS OF USE"
This drawing and all information (the "Drawing") disclosed are the exclusive property of A.Raymond. By using this Drawing the Addressee acknowledges and accepts that this Drawing (1) is covered by A.Raymond' intellectual property rights or know-how and (2) is provided under the following conditions who represent a Deposit Agreement. This Drawing is for Addressee' internal use only limited to its estimation. Without prior written consent of A.Raymond, no permission or rights for any purpose, is hereby granted, such as, without any limitation, (1) the copy, in part or entirely, (2) and/or the presentation, in part or entirely, to any other third party outside the Addressee' company or in the company but with no interest (3) and/or the distribution of the Drawing, in part or entirely, in any medium (4) and/or the creation of any derivative work. In case of breach of these conditions, Addressee shall indemnify A.Raymond from and against all damages (compensatory or consequential), costs, expenses and charges, caused or arising out of or attributable to its willful misconduct, fraud, negligence, infringement of A.Raymond' intellectual property rights. If the Addressee does not accept these conditions, please notify A.Raymond' sender immediately.

Intellectual property rights	vorbehalten / all rights reserved			Classification code
Ersatz fuer/ substitute for	019298.c.01/A/01.09.2003	Entw.Ref./ dev.ref.		Projekt-Nr./ project no. EMB 2751
Masstab/ scale	5:1	Allgemeintoleranz/ general tolerance	±0.3 / ±5°	Datum/ date 30.03.2011
Projektion / projection		Erstellt von/ prepared by	M. Junge	Freigegeben/ approved 20110330121821
Blechkuecke/ met. thickness DIN EN 10140	0.80	Volumen/ volume (mm³)	431.7	Gewicht/ weight (g) 3.4

Oberfl./ finish metallhaltige Korrosionsschutzbeschichtung, Farbe silber / metallic corrosion protection coated, colour silver
Oberfl. Code/ finish code 5410

Werkstoffbehandl./ material treatment zwischenstufenverguetet / austempered 435 ... 535 HV 5

Werkstoff/ material C67S DIN EN 10132-4
Met. code 1000

Bezeichnung/ title **Blechmutter**
fuer Gewinde EN ISO 1478 - ST6.3
sheet metal nut
for thread EN ISO 1478 - ST6.3

Teil-Nr./ part no. 019298-0-01
Drawing type C:Customer

<http://www.cergy-vis.fr>
[CERGY-VIS]
ET SI ON PARLAIT SERVICE

Teil-Nr. / part no.	019298-0-02	metallhaltige Korrosionsschutzbeschichtung, Farbe silber, GZ / metallic corrosion protection coated, colour silver, lubricated	Oberfl. Code/ finish code 4001
Ausfuhrung / Execution		Kundenteile-Nr. / customer part no. - Blatt / sheet 1 / 1	
CAD system & version ProE WF4		Dateiname / filename 019298-0C00	