

Variant	Acabado / Finishes
00	Delta-Tone 1c + Delta-Seal GZ negro 2c / RNS:240h Delta-Tone 1c + Delta-Seal GZ black 2c / NSS:240h
01	Sin Without
02	Magni 565 gris 1.1 / RNS:840h Magni 565 grey 1.1 / NSS:840h

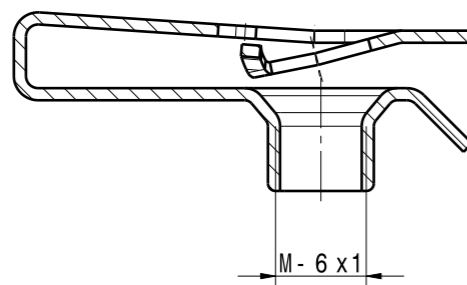
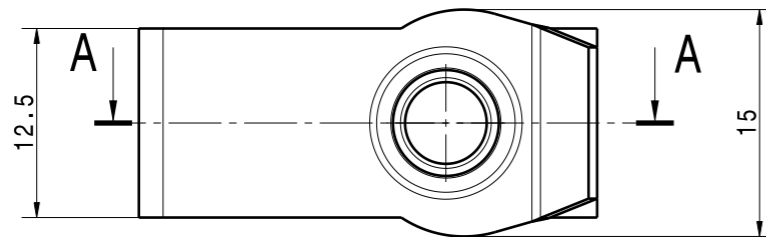
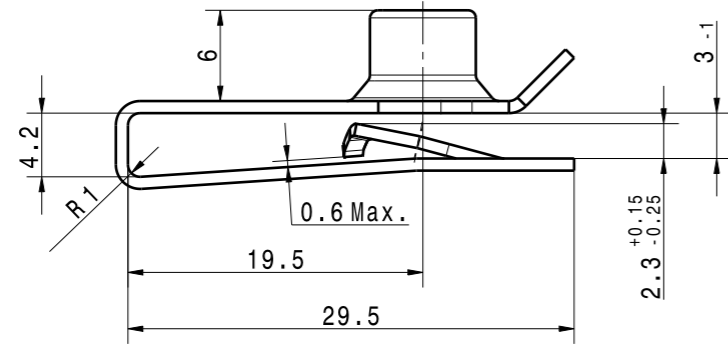
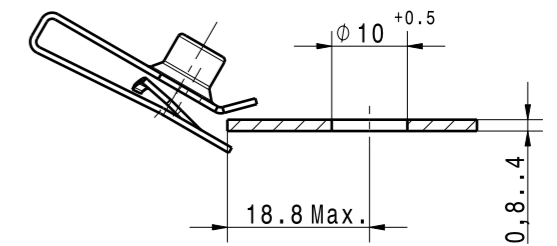
El proceso de montaje en automático de la pieza requiere previamente la consulta a A.Raymond Tecniacero.
Automatic processing of the part requires prior consultation with A.Raymond Tecniacero.

CONDICIONES DE MONTAJE:

- Adecuado para paneles espesor=0,8-4mm.
- Fuerza de entrada/montaje=55N.Max.(panel esp.4mm.)
- Esfuerzo salida=90N.Min.(panel esp. 0,8mm.)
- Torque resistente=10,4Nm.Min.

ASSEMBLY CONDITIONS:

- Suitable for panels thickness=0,8-4mm.
- Push on force=55N.Max.(panel thickness 4mm.)
- Pull out force=90N.Min.(panel thickness 0,8mm.)
- Prevailing Torque=10,4Nm.Min.



VISTA 3D. / (3D VIEW)

Scale 1:1

<http://www.cergy-vis.fr>

 ET SI ON PARLAIT SERVICE

VERIFICAR LA ESCALA DESPUÉS DE LA FOTOCOPIA / BEWARE SCALE AFTER COPY

>400 <= 1000	±2
>120 <= 400	±1.5
> 30 <= 120	±1
> 6 <= 30	±0.5
<= 6	±0.25
Angulo / Angle	±3°

Tolerancias generales para cotas sin especificar.
General tolerances for nominal dimensions without specified tolerances.

Ac	-	Actualizar I-Way; I-Way update.	12.09.13	JPO
REV.	Quant.	Indice / revision description	Date	Name
		Ctra. Manresa a Berga km 0,5 Spain - 08272 Sant Fruitós de Bages Tel +34 938 771 314 Fax +34 938 770 260		
		Si tuvieron problemas de comprension, por favor soliciten la version espanola a ARaymond antes de usar este plano. "CONDITIONS OF USE" This drawing and all information (the "Drawing") disclosed are the exclusive property of A.Raymond. By using this Drawing the Addressee acknowledge and accept that this Drawing (1) is covered by A.Raymond intellectual property rights or know-how and (2) is provided under the following conditions who represent a Deposit Agreement. This Drawing is for Addressee internal use only limited to its estimation. Without prior written consent of A.Raymond, no permission or rights for any purpose, is hereby granted, such as, without any limitation, (1) the copy, in part or entirely (2) and/or the presentation, in part or entirely, to any other third party outside the Addressee company or in the company but with no interest (3) and/or the distribution of the Drawings, in part or entirely, in any medium (4) and/or the creation of any derivative work. In case of breach of these conditions, Addressee shall indemnify A.Raymond from and against all damages (compensatory or consequential), costs, expenses and charges, caused or arising out of or attributable to its willful misconduct, fraud, negligence, infringement of A.Raymond Intellectual Property rights. If the Addressee does not accept these conditions, please notify A.Raymond sender immediately.		
Ref. patentes / Patent rights		Codigo SAFIX / Classification AABCC		
N° Proyecto / Project No.		Sustituye / Origin nivel:Ab/05-06-12	Resp de proyecto / Project Manager ROCA.I	
Escala / scale	Format	Tolerancias generales / General tolerance	Fecha / date 12.09.2013	
2:1	A3	Cf nota Cf nota	Preparado por / Prepared by PORTELLA.J	
		ALL DIMENSIONS ARE IN MILLIMETERS	Aprobado / Approved 20130912152801	
		Espesor mat. / Mat. thickness 0,80	Volumen / volume (mm ³) 674,9	Peso / Weight (g) 5,3
Acabado / finish See parts list Ver dibujo				Código acad. / finish code -
Tratamiento mat. / Material treatment Templado bainítico 420-520 HV Austempered 420-520 HV				
Material / Material C45E EN 10132-3				Código mat. / Mat. code -
Denominación / Title Tuerca métrica (M-6x1) Metric pitch nut (M-6x1)				
Número /Part no. 151838-0-00			Tipo dibujo / Drawing type C-Customer	
Ref. cliente / Customer part no.			Hoja / Sheet 1/1	
CAD system & version CATIA V5 R19 SP9			Nombre fichero / Filename 151838-0C00	