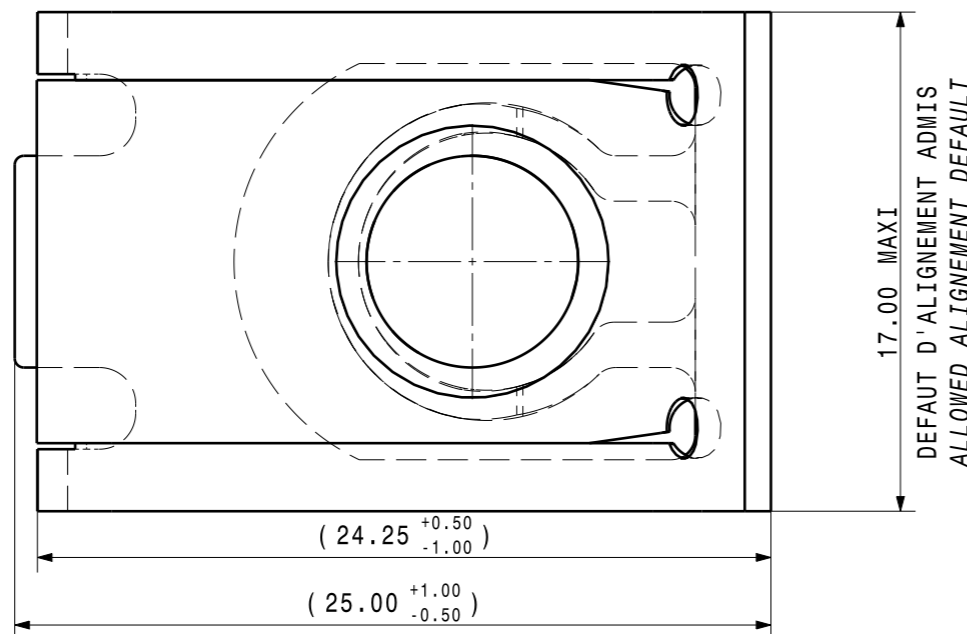
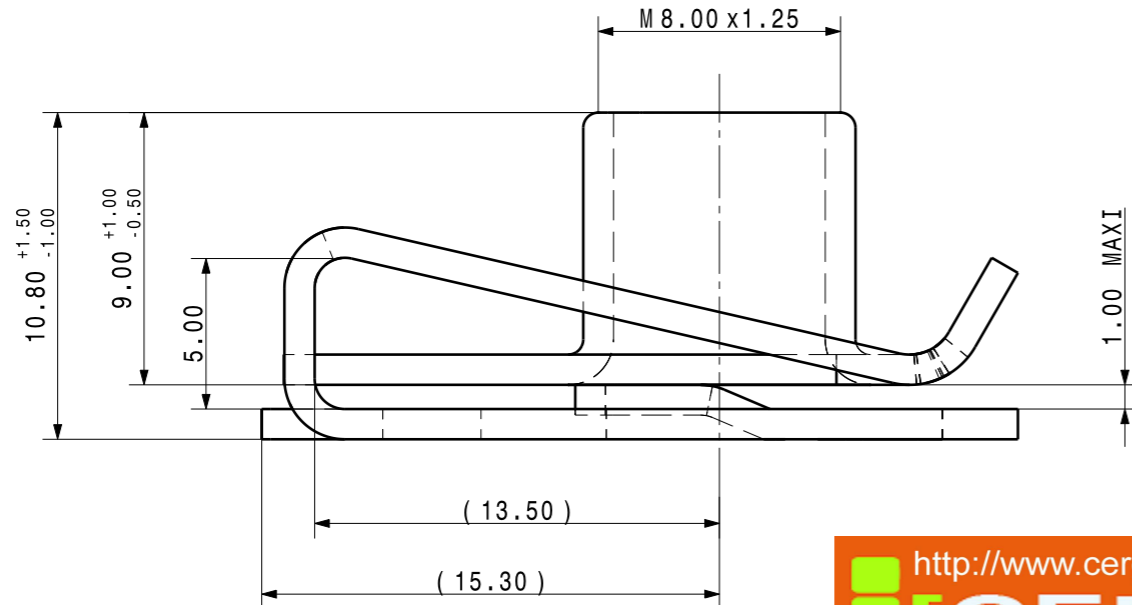
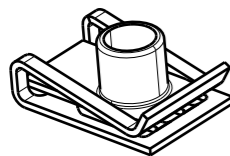


| Variant | Matières / Materials | Traitements structuraux / Material treatments | Finitions / Finishes | Poids / Weight (g) |
|---------|----------------------|---|---|--------------------|
| 05 | C45E-A | TTH.HR 30 N : 57,5 a 63 (38 a 42 HRC) | BRUT DE TREMPE | 0,3 |
| 07 | C45E-A | TTH.HR 30 N : 57,5 a 63 (38 a 42 HRC) | ZnNi(12-15%Ni)8µ min + Cr3 + FOM Gris/grey | 0,3 |
| 10 | C45E-A | TTH.HR 30 N : 57,5 a 63 (38 a 42 HRC) | Zn 10µ min + Cr3 + FOM Gris/grey | 0,3 |
| 17 | C45E-A | TTH.HR 30 N : 57,5 a 63 (38 a 42 HRC) | ZnFL Zn-Al + Si 8µ min gris/grey | 0,3 |
| 19 | C45E-A | TTH.HR 30 N : 57,5 a 63 (38 a 42 HRC) | Deltatone + Delta seal Type KL100 + Vh302 | 0,3 |

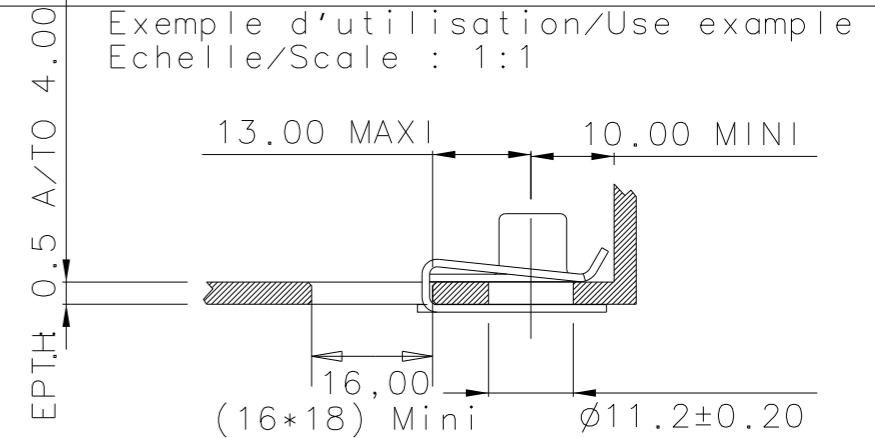


VUE ISO/3D VIEW
ECH/SCL : 1:1



| REV. | Quant. | Indice / revision description | Date | Name |
|------|--------|------------------------------------|----------|------|
| Qj | - | AJOUT VARIANTE 19 / ADD VARIANT 19 | 28.04.11 | FAI |
| Qh | - | UPDATED DRAWING | 24.01.11 | FAI |

Une consultation préalable de A.Raymond SARL est nécessaire pour toute mise en place de la pièce en automatique.
Automatic processing of the part requires prior consultation with A.Raymond SARL.



A Raymond

113 cours Berriat BP 157
France - 38019 Grenoble cedex 1
Tel +33 (0) 4 76 33 49 49
Fax +33 (0) 4 76 78 20 50

Si problème de compréhension, merci de demander la version française à A.Raymond avant toute utilisation.
"CONDITIONS OF USE"
This drawing and all information (the "Drawings") disclosed are the exclusive property of A.Raymond. By using this Drawing the Addressee acknowledges and accepts that this Drawing (1) is covered by A.Raymond intellectual property rights or know-how and (2) is provided under the following conditions which represent a Deposit Agreement. This Drawing is for Addressee internal use only limited to its estimation. Without prior written consent of A.Raymond, no permission or rights for any purpose, is hereby granted, such as, without any limitation, (1) the copy, in part or entirely (2) and/or the presentation, in part or entirely, to any other third party outside the Addressee company or in the company but with no interest (3) and/or the distribution of the Drawings, in part or entirely, in any medium (4) and/or the creation of any derivative work. In case of breach of these conditions, Addressee shall indemnify A.Raymond from and against all damages (compensatory or consequential), costs, expenses and charges, caused or arising out of or attributable to its willful misconduct, fraud, negligence, infringement of A.Raymond Intellectual Property rights. If the Addressee does not accept these conditions, please notify A.Raymond sender immediately.

| | | | |
|-------------------------------|---------------------|---|--|
| Brevets / Patent rights | | Classification code AABCE | |
| N° Projet / Project No. | Origine / Origin | Chef de projet / Project Manager | |
| Echelle / scale 4:1 | Format A3 | Tolerance / General tolerance Dimension Angle ± 0.50 ± 5.00° | Date 21.06.1971 |
| | | ALL DIMENSIONS ARE IN MILLIMETERS | Realise / Prepared by AILHAS.F |
| Epaisseur / Mat. thickness | | Volume (mm³) 33,4 | Poids / Weight (g) |

Finition / finish
Voir nomenclature See parts list

Traitement structural / Material treatment
Voir nomenclature See parts list

Matière / Material
Voir nomenclature See parts list

Libelle / Title
**Ecrou à pas métrique
Metric pitch nut**

Reference / Part no.
053313-0-05

Ref. client / Customer part no.
Drawing type
C:Customer

CAD system & version CATIA V5 R19 SP7
Nom fichier / File name 053313-0C05
Planche / Sheet **1/1**

VERIFIER L ECHELLE APRES PHOTOCOPIE / BEWARE SCALE AFTER COPY