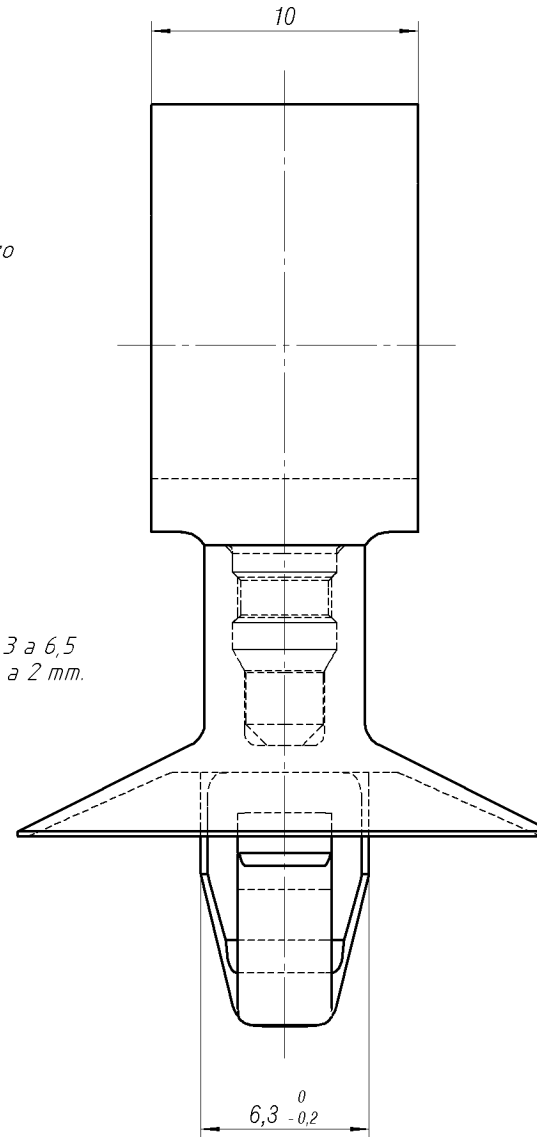


013380 001
Para tubos
Ø 10 a 12 mm.
PA 66 Color Negro

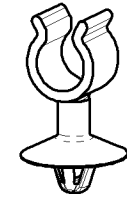
152491 001
Pie fijación
Para agujero Ø 6,3 a 6,5
Grueso chapa 0,8 a 2 mm.
P66 Color Negro



Nota:
Las cotas con * deben ser comprobadas
con calibre de Ø 10 montado en su alojamiento.

205951 000	Color negro	921
Número/ Part Nr.:	Acabado/Color/ Finish/Colour	Código/ Code number
	Posibilidades/Execution	

Observaciones/
Remarks:



Vista 3D
Esc. 1:1

Ind.	Nº cotas/ how often	Descripción / Description	Fecha/Date	Firma/ Name
------	------------------------	---------------------------	------------	----------------

Modificaciones / Modifications

Formato DIN A 3

TECNIACERO

Extra C-NC p.18 08272 S. FRUTOS DE BAGES (Barcelona) / tel (34) 938 771 314 / fax (34) 938 770 240

Si tuvieran problemas de comprensión, por favor soliciten la versión española a A.Raymond antes de usar este plano.
"CONDITIONS OF USE"
This drawing and all information (the "Drawing") disclosed are the exclusive property of A.Raymond. By using this Drawing the Addressee acknowledges and accepts that this Drawing (1) is covered by A.Raymond's intellectual property rights or know-how and (2) is provided under the following conditions, who represent a Deposit Agreement. This Drawing is for Addressee's internal use only limited to its estimation. Without prior written consent of A.Raymond, no permission or rights for any purpose, is hereby granted, such as, without any limitation, (1) the copy, in part or entirely (2) and/or the presentation, in part or entirely, to any other third party outside the Addressee's company or in the company but with no interest (3) and/or the distribution of the Drawing, in part or entirely, in any medium (4) and/or the creation of any derivative work. In case of breach of these conditions, Addressee shall indemnify A.Raymond from and against all damages (compensatory or consequential), costs, expenses and charges, caused or arising out of or attributable to its willful misconduct, fraud, negligence, infringement of A.Raymond's Intellectual Property rights. If the Addressee does not accept these conditions, please notify A.Raymond's sender immediately.

Archivo n./ Filename	Sustituye a/ Substitute for	Proy. nº./ Proj.-Nr	Código SAFIX
		Vol. (mm3)	Peso N (g) Weight (g)
		1358,76	1,52

Referencias patentes/
Patent rights: -

Aprobado/ App. J.Gamisans	Producción/ Produktion	Calidad/ Quality	Aprb. pat/ Patent app.
Escala/Scale: 5:1	Tolerancias gen. salvo especific. contraria/ General tol. unless otherwise specified ± 0,5 / ± 3°	Fecha/ Date 25-10-05	Dibujado/ Drawn J.TORRES

Acabado/ Finish:	Ver tabla	Código acab./ Code number
	-	-

Tratamiento/ Material treatment:	-	Espesor mat./ Mat thickness DIN EN 10140
	-	-

Material/ Material:	Ver notas	Código mat./ Mat.-Code
	-	-

Denominación/
Part name: Grapa para Ø 10-12 + pie
Ø 10-12 x 0,8-2 esp.

Número/ Part Nr.:	205951 000	Plano/Plan C
----------------------	------------	-----------------