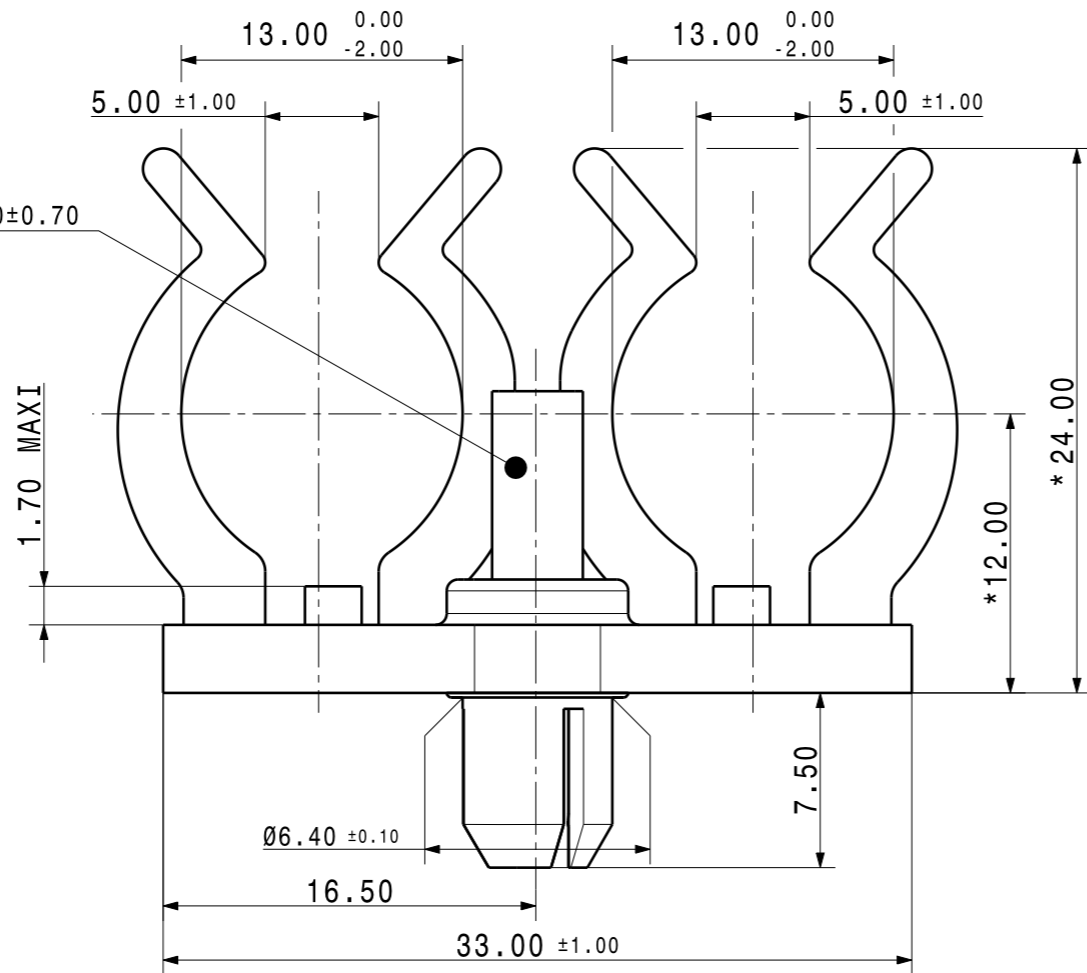
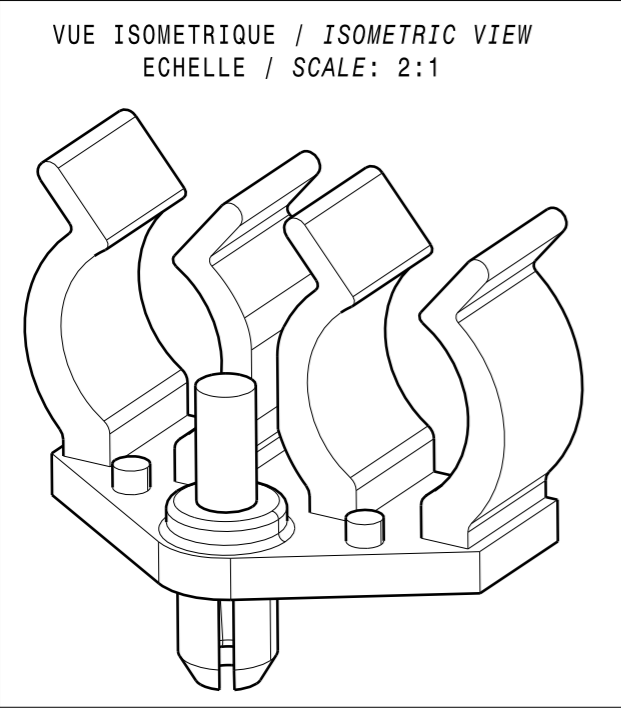


GOUPILLE/PIN: Ø4.00 L:12.00mm
 PRE-ENFONCEE DE / PRE-EMBEDDED OF: 3.00±0.70

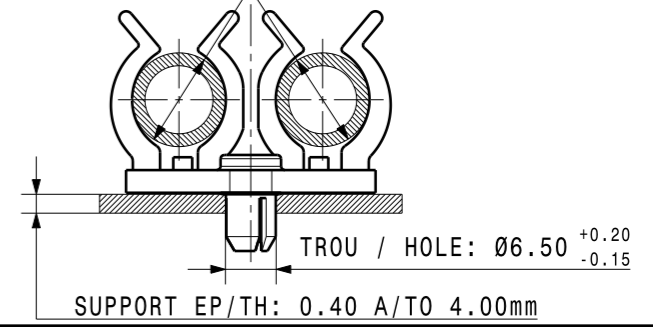


LES COTES (*) SONT A CONTROLER AVEC DES PIGES Ø13.00h8 MISEN EN PLACE DANS LEURS LOGEMENTS CORRESPONDANTS.
 (*) DIMENSIONS HAVE TO BE CHECKED WITH GAUGE SET Ø13.00h8 PLACE IN THE HOLE ITS CORRESPONDING



Une consultation préalable de A.Raymond SARL est nécessaire pour toute mise en place de la pièce en automatique.
 Automatic processing of the part requires prior consultation with A.Raymond SARL.

EXEMPLE D'UTILISATION / USE CONDITION
 ECHELLE / SCALE: 1:1
 TUBE/PIPE: Ø13.00 A/TO Ø15.00mm



113 cours Berriat BP 157
 France - 38019 Grenoble cedex 1
 Tel +33 (0) 4 76 33 49 49
 Fax +33 (0) 4 76 78 20 50

Si problème de compréhension, merci de demander la version française à ARaymond avant toute utilisation.
 "CONDITIONS OF USE"
 This drawing and all information (the "Drawing") disclosed are the exclusive property of A.Raymond. By using this Drawing the Addressee acknowledges and accepts that this Drawing (1) is covered by A.Raymond intellectual property rights or know-how and (2) is provided under the following conditions which represent a Deposit Agreement. This Drawing is for Addressee internal use only limited to its estimation. Without prior written consent of A.Raymond, no permission or rights for any purpose, is hereby granted, such as, without any limitation, (1) the copy, in part or entirely (2) and/or the presentation, in part or entirely, to any other third party outside the Addressee company or in the company but with no interest (3) and/or the distribution of the Drawings, in part or entirely, in any medium (4) and/or the creation of any derivative work. In case of breach of these conditions, Addressee shall indemnify A.Raymond from and against all damages (compensatory or consequential), costs, expenses and charges, caused or arising out of or attributable to its willful misconduct, fraud, negligence, infringement of A.Raymond Intellectual Property rights. If the Addressee does not accept these conditions, please notify A.Raymond sender immediately.

| | | | |
|--|---------------------|---|------------------------------|
| Brevets / Patent rights | | Classification code BBDB- | |
| N° Projet / Project No. | Origine / Origin | Chef de projet / Project Manager PAULIN.G | |
| Ecaille / scale 3:1 | Format A3 | Tolerance / General tolerance Dimension Angle ± 0.50 ± 5.00° | Date 05.06.1989 |
| | | Réalise / Prepared by PAULIN.G | |
| Approuve / Approved 20120827135734 | | Epaisseur / Mat. thickness | Volume (mm³) 145,5 |
| Poids / Weight (g) 0,2 | | Code finition finish code - | |
| Finition / finish Noir Black | | | |
| Traitement structural / Material treatment REPRISE D'HUMIDITE 2% MINI 2% mini of Humidity rework | | | |
| Matière / Material PA 66 HI BK Radilon A US200 333 Noir | | Mat. code - | |
| Libelle / Title Support tube Double Pipe clip Double | | | |
| Reference / Part no. 055297-0-00 | | Drawing type C:Customer | |
| Ab - UPDATED DRAWING | | 27.08.12 | GPA |
| REV. Quant. Indice / revision description | | Date | Name |
| Ref. client / Customer part no. | | Planche / Sheet 1/1 | |
| CAD system & version CATIA V5 R19 SP9 | | Nom fichier / File name 055297-0C00 | |

VERIFIER L ECHELLE APRES PHOTOCOPIE / BEWARE SCALE AFTER COPY

4
3
2
1

4
3
2
1

H G F E D C B A