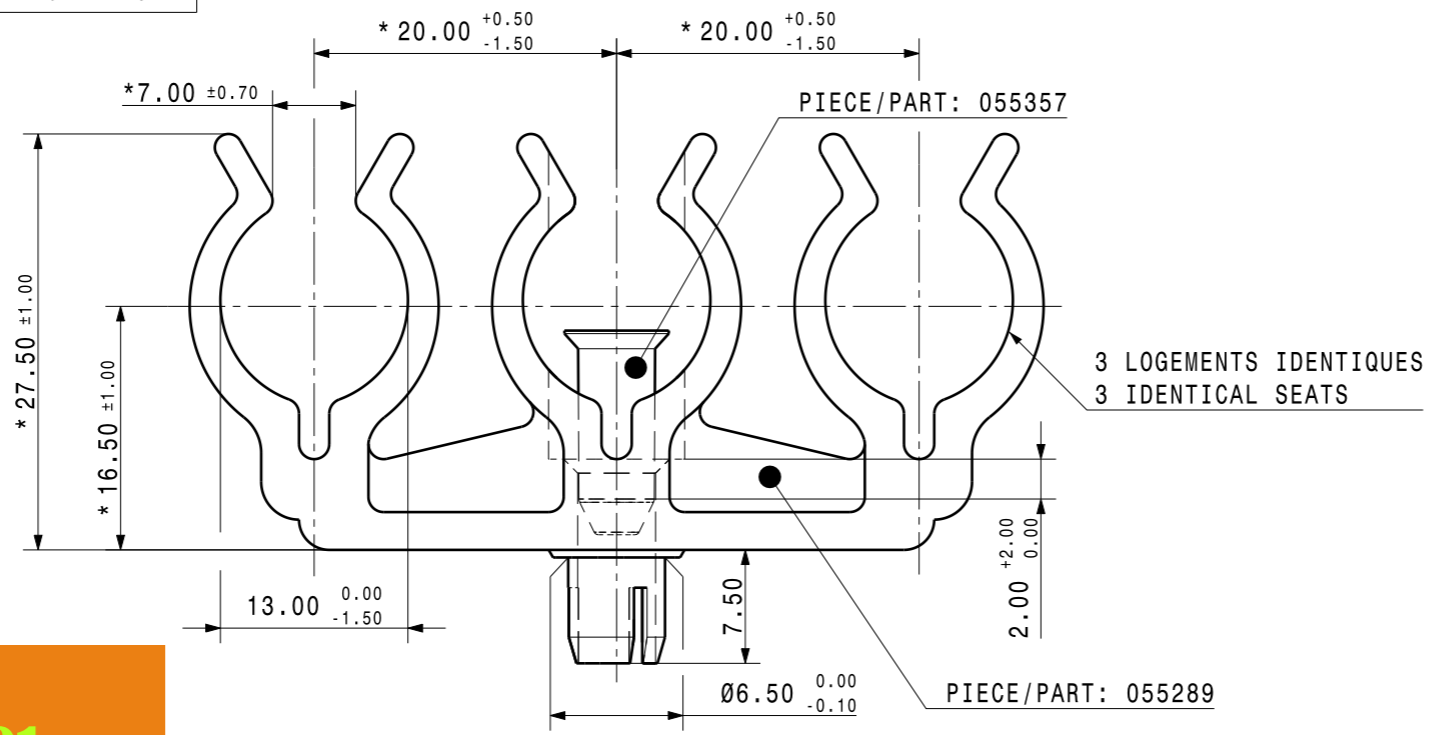
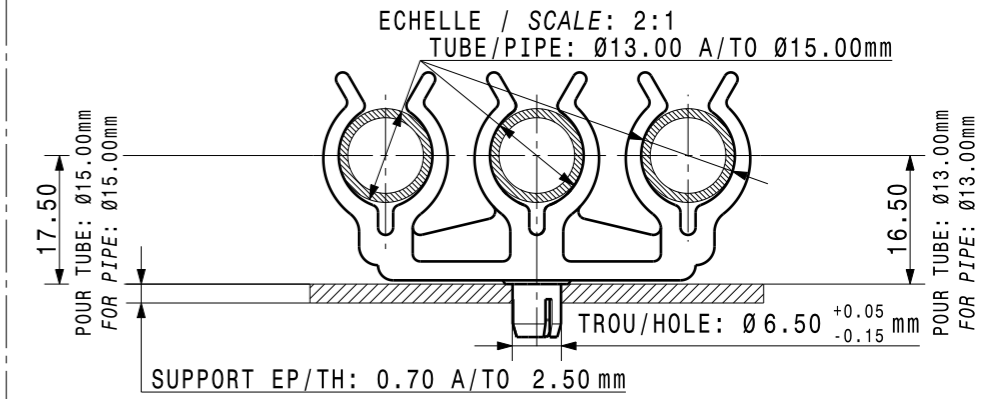




Pièce / Part	Matières / Materials
055289-0-00	PA12 PO Noir Rilsamid AMN Noir T6LD
055357-0-00	PA12 PO Noir Rilsamid AMN Noir T6LD

Une consultation préalable de A.Raymond SARL est nécessaire pour toute mise en place de la pièce en automatique.
Automatic processing of the part requires prior consultation with A.Raymond SARL.

EXEMPLE D'UTILISATION / USE CONDITION



ARaymond
113 cours Berriat BP 157
France - 38019 Grenoble cedex 1
Tel +33 (0) 4 76 33 49 49
Fax +33 (0) 4 76 78 20 50

Si problème de compréhension, merci de demander la version française à ARaymond avant toute utilisation.
"CONDITIONS OF USE"
This drawing and all information (the "Drawing") disclosed are the exclusive property of A.Raymond. By using this Drawing the Addressee acknowledges and accepts that this Drawing (1) is covered by A.Raymond intellectual property rights or know-how and (2) is provided under the following conditions who represent a Deposit Agreement. This Drawing is for Addressee internal use only limited to its estimation. Without prior written consent of A.Raymond, no permission or rights for any purpose, is hereby granted, such as, without any limitation, (1) the copy, in part or entirely (2) and/or the presentation, in part or entirely, to any other third party outside the Addressee company or in the company but with no interest (3) and/or the distribution of the Drawings, in part or entirely, in any medium (4) and/or the creation of any derivative work. In case of breach of these conditions, Addressee shall indemnify A.Raymond from and against all damages (compensatory or consequential), costs, expenses and charges, caused or arising out of or attributable to its willful misconduct, fraud, negligence, infringement of A.Raymond Intellectual Property rights. If the Addressee does not accept these conditions, please notify A.Raymond sender immediately.

Brevets / Patent rights		Classification code BCDB-	
N° Projet / Project No. -	Origine / Origin 061357-1-Aa	Chef de projet / Project Manager PAULIN.G	
Echelle / scale 2:1	Format A3	Tolerance / General tolerance Dimension Angle ± 0.50 ± 5.00°	Date 14.06.1989
ALL DIMENSIONS ARE IN MILLIMETERS		Realisé / Prepared by PAULIN.G	
Epaissieur / Mat. thickness -		Approuvé / Approved 20111010080346	Volume (mm³) 6528
		Poids / Weight (g) 6,6	

Finition / finish
Noir Black
Code finition finish code -

Traitement structural / Material treatment
Sans Without

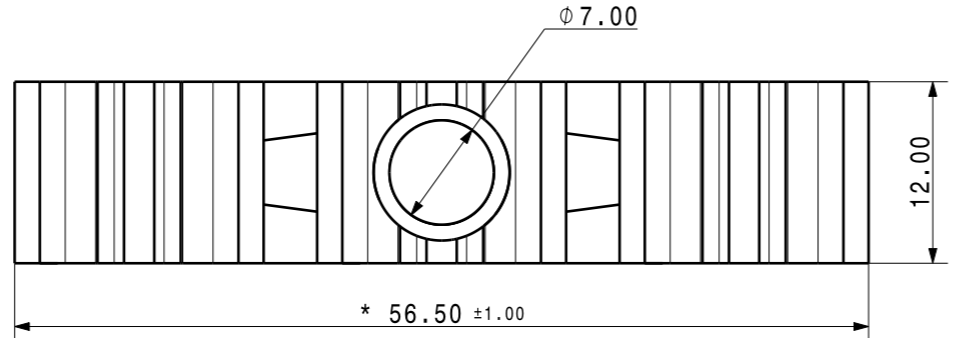
Matière / Material
Voir nomenclature See products list
Mat. code -

Libelle / Title
**Support tube
3 voies
Pipe clip
3 ways**

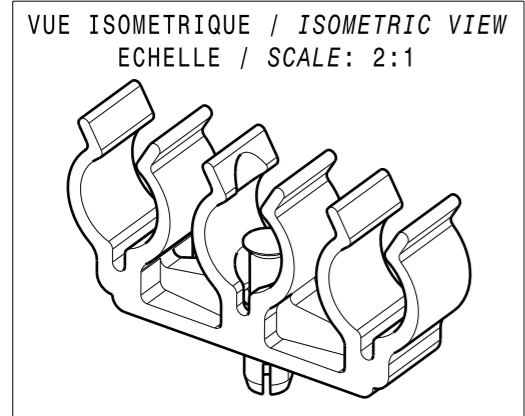
Reference / Part no. **061357-0-00**
Drawing type C:Customer

Ref. client / Customer part no.
CAD system & version CATIA V5 R19 SP7
Nom fichier / File name 061357-0C00
Planche / Sheet 1/1

**Référence
061 357 001
Matière Polyamide 12 Noir
(PA12-Nr)**



LES COTES (*) SONT A CONTROLER AVEC DES PIGES Ø13.00h8 MISEN EN PLACE DANS LEURS LOGEMENTS CORRESPONDANT.
(*) DIMENSIONS HAVE TO BE CHECKED WITH GAUGE SET Ø9.00h8 PLACE IN THE HOLE ITS CORRESPONDING



REV.	Quant.	Indice / revision description	Date	Name
-	-	UPDATING DRAWING	22.09.11	GPA

VERIFIER L ECHELLE APRES PHOTOCOPIE / BEWARE SCALE AFTER COPY