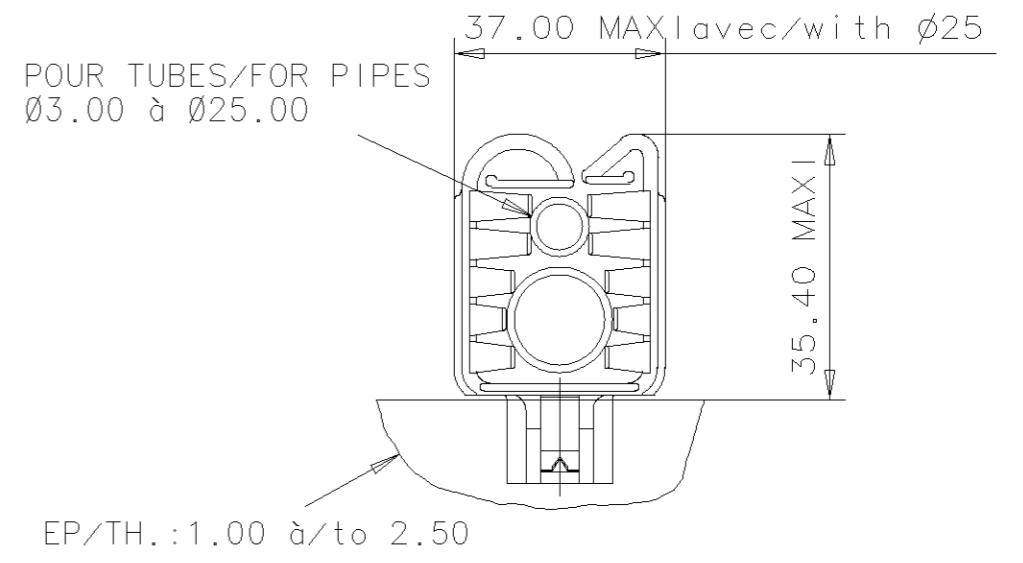
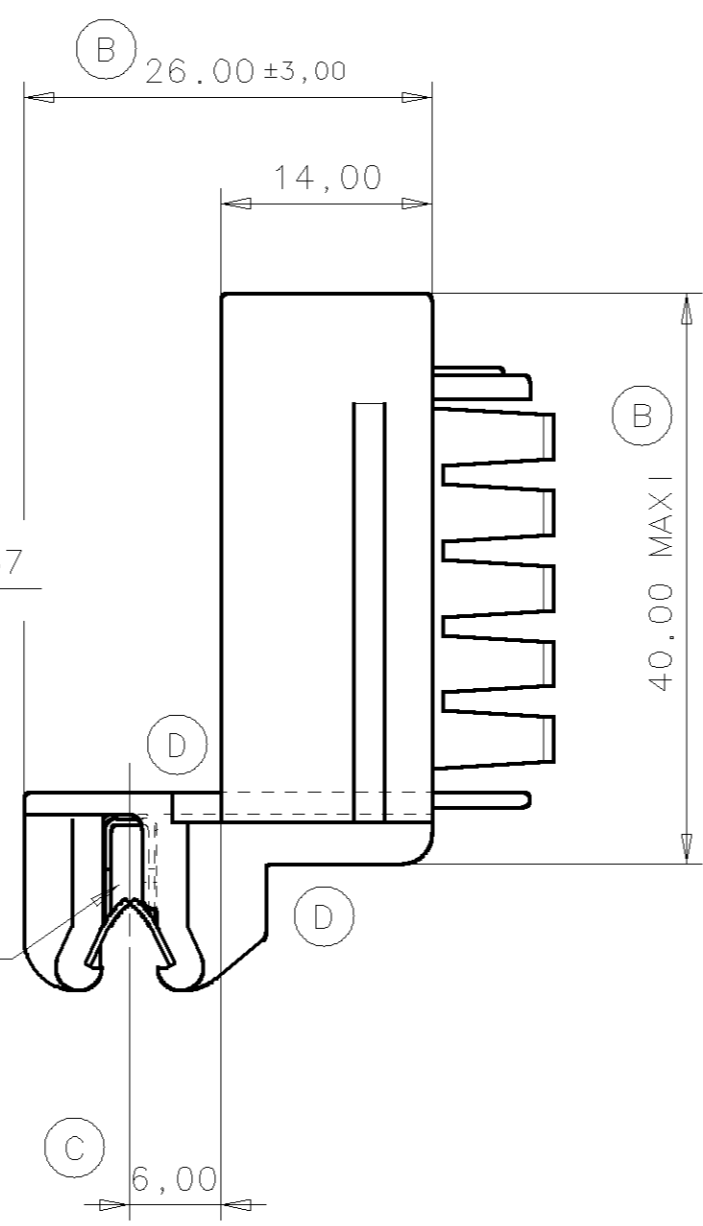
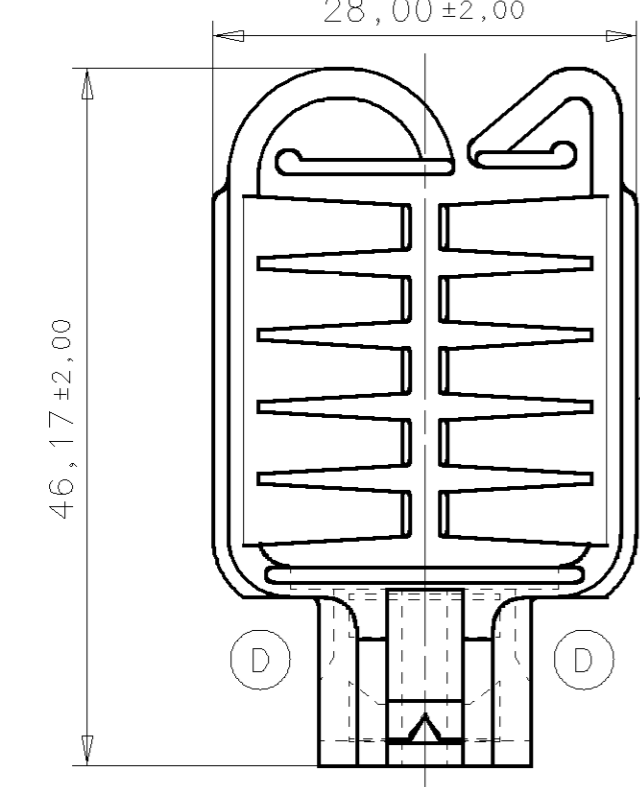
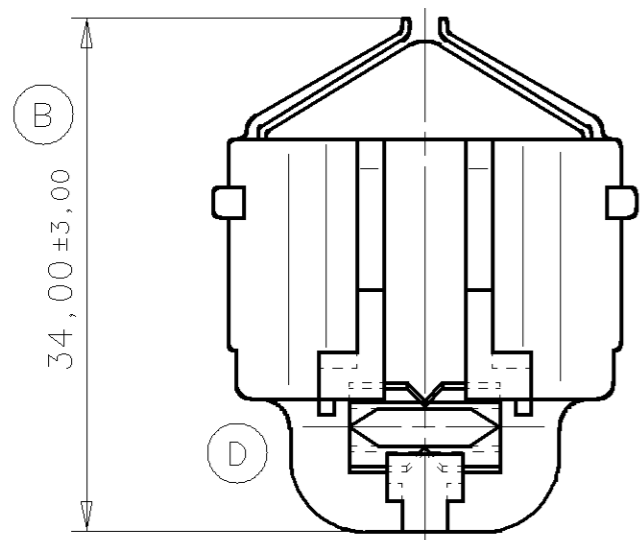


PIECES	MATIERE	TRAITEMENT	FINITION
055767.001	POMC 1300 (Type Hostaform C 13021)	SANS	Noir
054712.009	Acier C67S - A (recuit)	TTH.HR 15 N : 81,5 a 83,5 (42 a 46 Hrc)	FOM + CrIII (XII) + ZnNi(12-15%[Ni]) 8-(I) - Tenue BS RR : 600H/720H

ECH: 1:1




IND	Nb DIM	DESCRIPTIONS / DESIGNATIONS	DATE	VISAS
Db		INTERNATIONAL DRAWING	24/11/08	FA
Da		Mise à jour variante	04-01-07	AJ
D		MODIFICATION FORME	10-02-92	PP
C	01	MODIFICATION COTATION	28-06-91	CP
B	00	DEXAXAGE SYSTEME DE FIXATION	13-05-91	JF

If the addressee does not accept these conditions, please notify A.Raymond sender immediately.
Si problème de compréhension, merci de demander la version française à A.Raymond avant toute utilisation.
 This drawing and all information (the "Drawing") disclosed are the exclusive property of A.Raymond.
 By using this Drawing the Addressee acknowledges and accepts that this Drawing (1) is covered by A.Raymond intellectual property rights or know-how, and, (1) is provided under the following conditions who represent a Deposit Agreement. This Drawing is for Addressee' internal use only limited to its estimation. Without prior written consent of A.Raymond, no permission or rights for any purpose, is hereby granted, such as, without any limitation, (2) and/or the presentation, in part or entirely, to any other third party outside the Addressee' company or in the company but with no interest (3) and/or the distribution of the Drawing, in part or entirely, in any medium (4) and/or the creation of any derivative work. In case of breach of these conditions, Addressee shall indemnify A.Raymond from and against all damages (compensatory or consequential), costs, expenses and charges, caused or arising out of or attributable to its willful misconduct, fraud, negligence, infringement of A.Raymond' Intellectual Property rights.

FORMAT	SCALE/ECH	TH/EP(mm)	VOL(mm3)	WEIGHT/POIDS(g)	SHEET/PLANCHE	TOLERANCE dimension / angle	DATE
A3	2:1					± 1.00 5°	17-12-90

SURFACE TREATMENT OR COLOR / TRAITEMENT DE SURFACE OU COULEUR:

CF NOMENCLATURE	ACHIEVED/REALISE: FREITAS
MATERIAL TREATMENT / TRAITEMENT STRUCTURAL:	VISA:
CF NOMENCLATURE	APPROVED/APPROUVE:
MATERIAL / MATIERE:	VISA:
CF NOMENCLATURE	PATENTS / BREVETS:
TITLE / LIBELLE: SUPPORT TUBE METALLO-PLASTIQUE METAL AND PLASTIC PIPE CLIP	

CUSTOMER DATA / REF. CLIENT:	
NUMBER / NUMERO: 061576 .002	

I-Deas MS10 CAD FILE DO NOT MODIFY / PLAN REALISE EN CAO I-Deas MS10 NE PAS MODIFIER MANUELLEMENT



VERIFIER L ECHELLE APRES PHOTOCOPIE / BEWARE SCALE AFTER COPY

4
3
2
1

4
3
2
1

H G F E D C B A