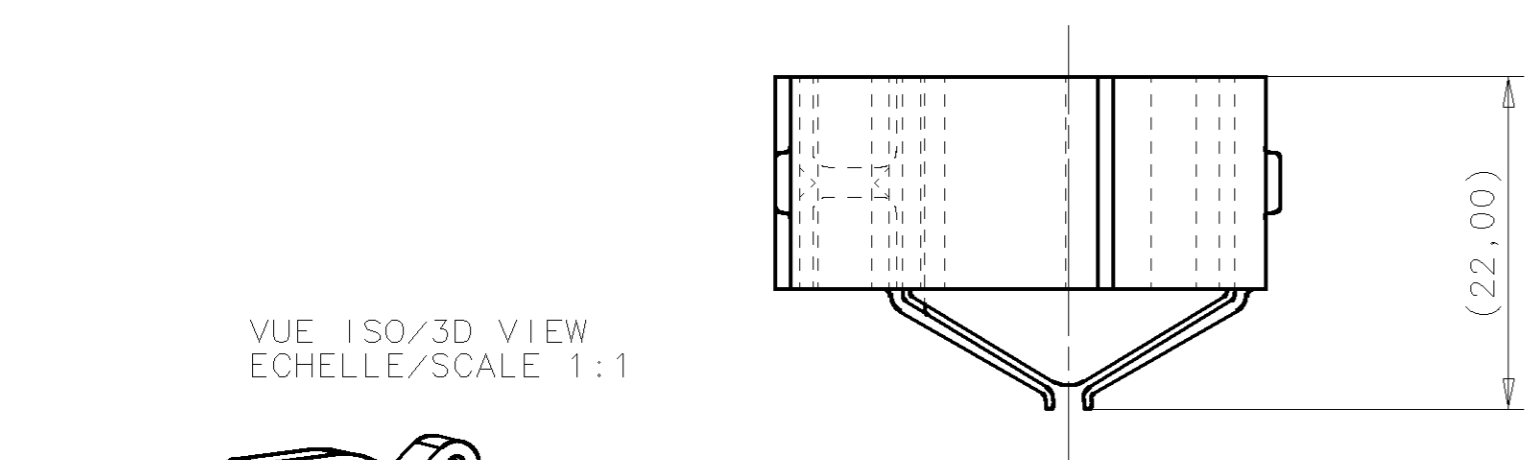
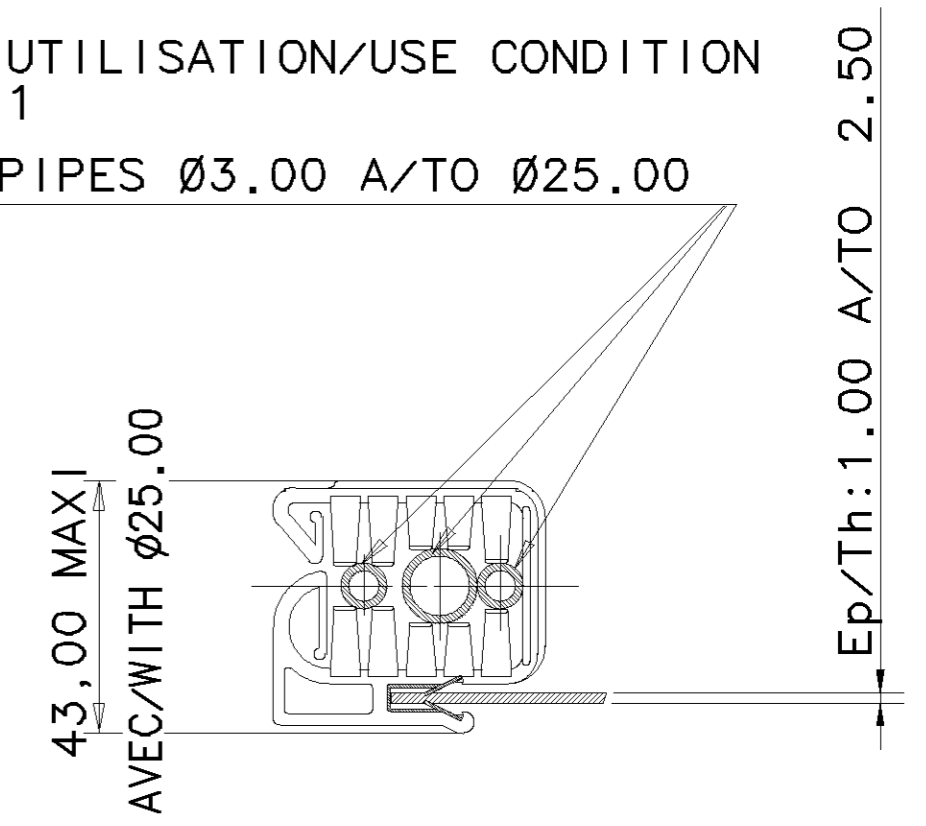
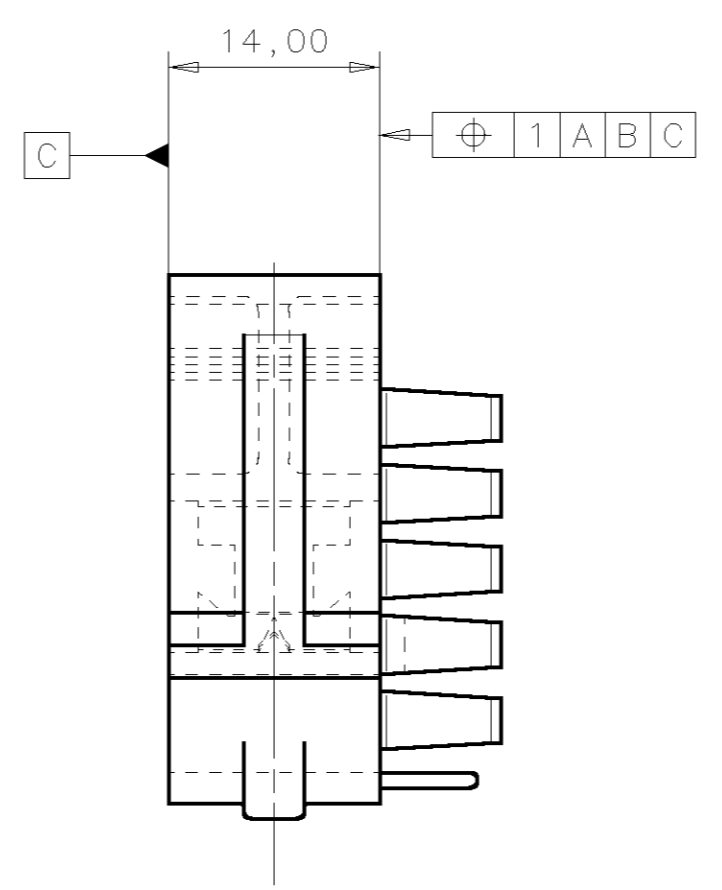
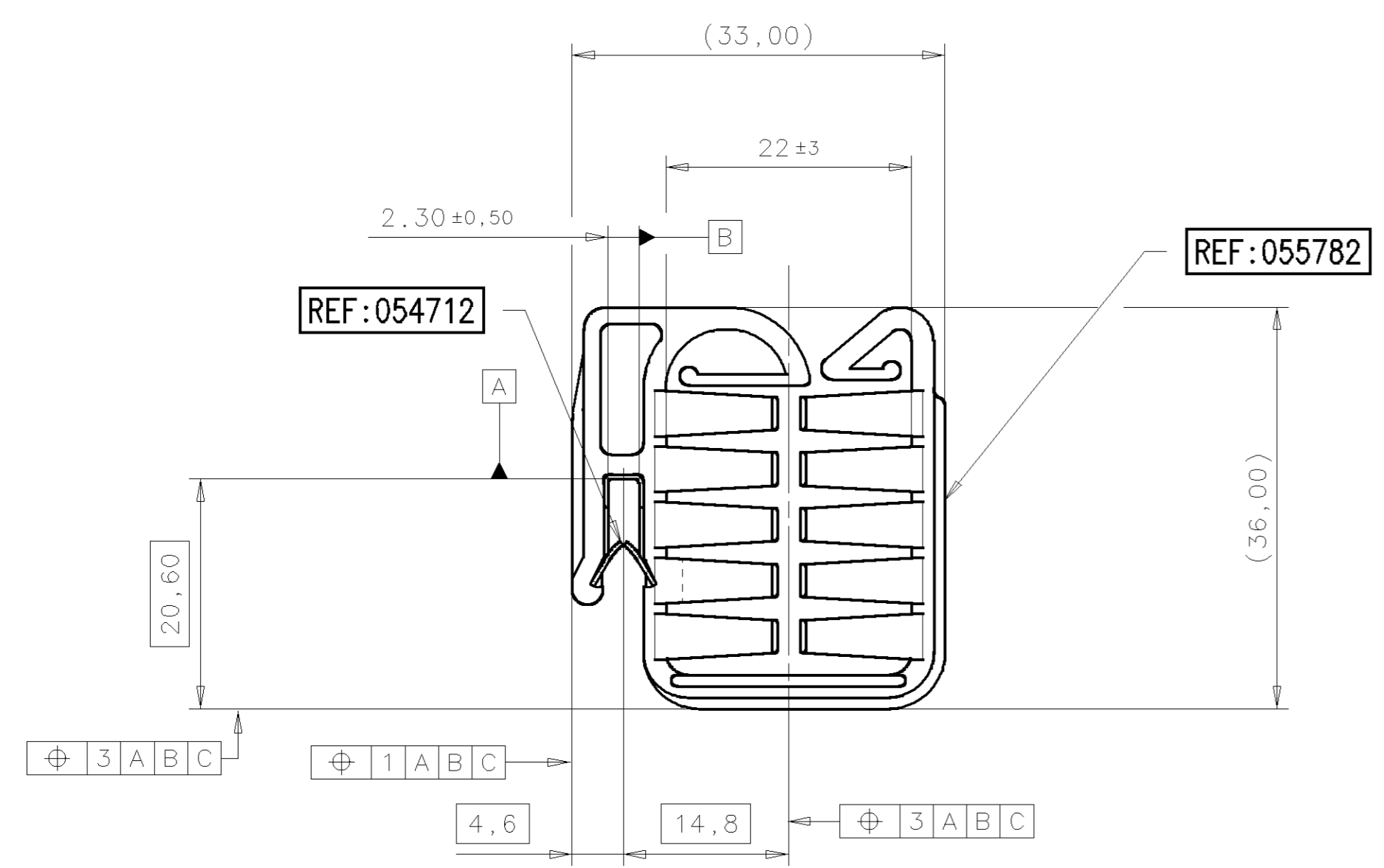


PIECES	MATIERE	TRAITEMENT	FINITION
055782.000	POMC1300	SANS	Noir
054712.009	C67S - A	TTH.HR 15 N : 81,5 a 83,5 (42 a 46 HRC)	FOM+Cr111(X11)+ZnNi(12-15*(Ni))8-(1)

EXEMPLE D'UTILISATION/USE CONDITION  
 ECH/SCL 1:1  
 POUR TUBES/FOR PIPES Ø3.00 A/TO Ø25.00



Df	INTERNATIONAL DRAWING	22/01/10	FA
De	Mise à jour variante	05-01-07	AJ
Dd	MISE A JOUR COTATION / B.E.D	07-12-06	B V
Dc	MISE A JOUR MATIERE-FINITION / B.E.D	28-03-06	B V
Db	MISE A JOUR PLAN / CLIENT	01-03-06	B V
Da	MISE A JOUR PLAN MATIERE / FINITION - B.E.D	20-09-06	B V
ND	DESCRIPTIONS / DESIGNATIONS		DATE VISAS
DIM			
<p><b>If the addressee does not accept these conditions, please notify A.Raymond sender immediately.</b>  <b>Si problème de compréhension, merci de demander la version française à Raymond avant toute utilisation.</b></p> <p>This drawing and all information (the "Drawing") disclosed are the exclusive property of A.Raymond.        By using this Drawing the Addressee acknowledges and accepts that this Drawing        (1) is covered by A.Raymond intellectual property rights or know-how, and        (ii) is provided under the following conditions who represent a Deposit Agreement.        This Drawing is for Addressee' internal use only limited to its estimation.        Without prior written consent of A.Raymond, no permission or rights for any purpose, is hereby granted, such as, without any limitation,        (1) the copy, in part or entirely,        (2) and/or the presentation in part or entirely, to any other third party outside the Addressee' company or in the company but with no interest        (3) and/or the distribution of the Drawing, in part or entirely, in any medium        (4) and/or the creation of any derivative work.        In case of breach of these conditions, Addressee shall indemnify A.Raymond from and against all damages (compensatory or consequential),        costs, expenses and charges, caused or arising out of or attributable to its willful misconduct, fraud, negligence,        infringement of A.Raymond' Intellectual Property rights.</p>			
FORMAT	A2	SCALE/ECH	2:1
TH/EP(mm)		VOL(mm3)	
WEIGHT/POIDS(g)		SHEET/PLANCHE	1/1
TOLERANCE	dimension " angl"		DATE
			04-01-1990
SURFACE TREATMENT OR COLOR / TRAITEMENT DE SURFACE OU COULEUR:			
CF NOMENCLATURE		ACHIEVED/REALISE: <b>B VIRGONA</b>	
MATERIAL TREATMENT / TRAITEMENT STRUCTURAL:		VISA:	
CF NOMENCLATURE		APPROVED/APPROUVE: <b>M POGGI</b>	
MATERIAL / MATIERE:		VISA:	
CF NOMENCLATURE		PATENTS /BREVETS:	
TITLE / LIBELLE:		<b>SUPPORT TUBES PIPES CLIP</b>	
CUSTOMER DATA / REF. CLIENT:			
NUMBER / NUMERO:			
<b>061585 .005</b>			
I-Deas MS10 CAD FILE DO NOT MODIFY / PLAN REALISE EN CAO I-Deas MS10 NE PAS MODIFIER MANUELLEMENT			

<http://www.cergy-vis.fr>  
  
**[CERGY-VIS]**  
 ET SI ON PARLAIT SERVICE

VERIFIER L ECHELLE APRES PHOTOCOPIE / BEWARE SCALE AFTER COPY

Tolérancement/tolerancing: ISO 8015  
 Tolérances générales/general tolerances:  
 \* ISO 2768-2-K