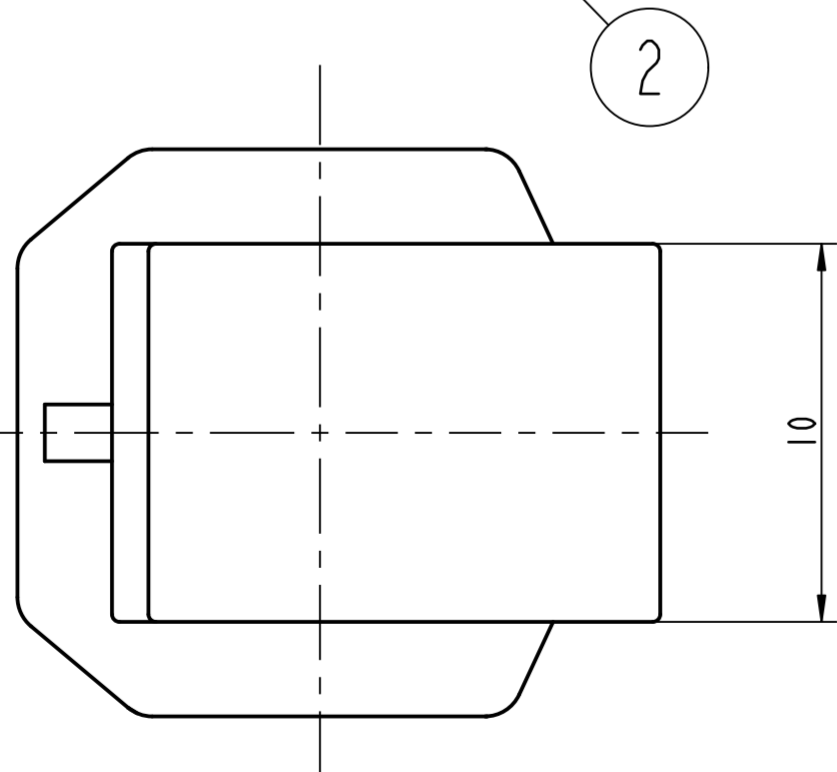
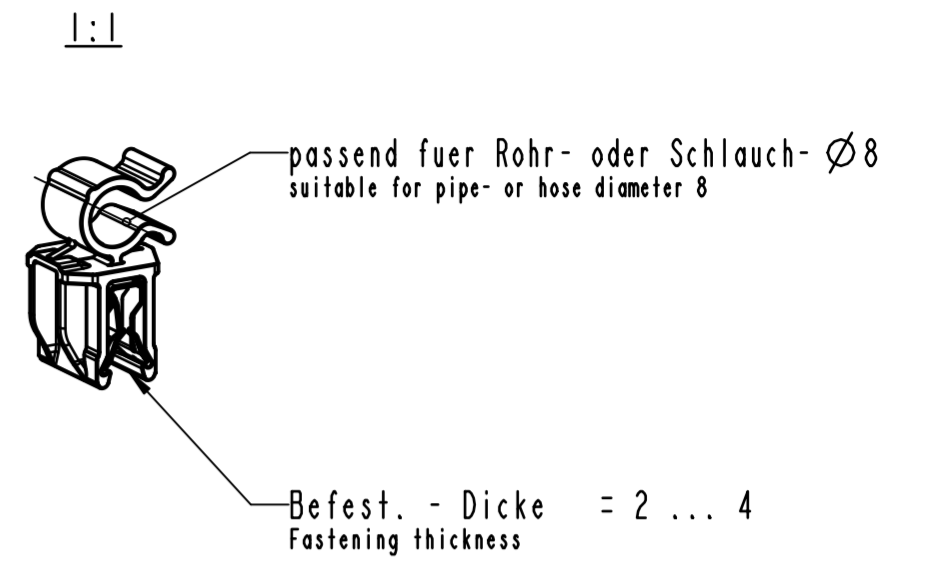
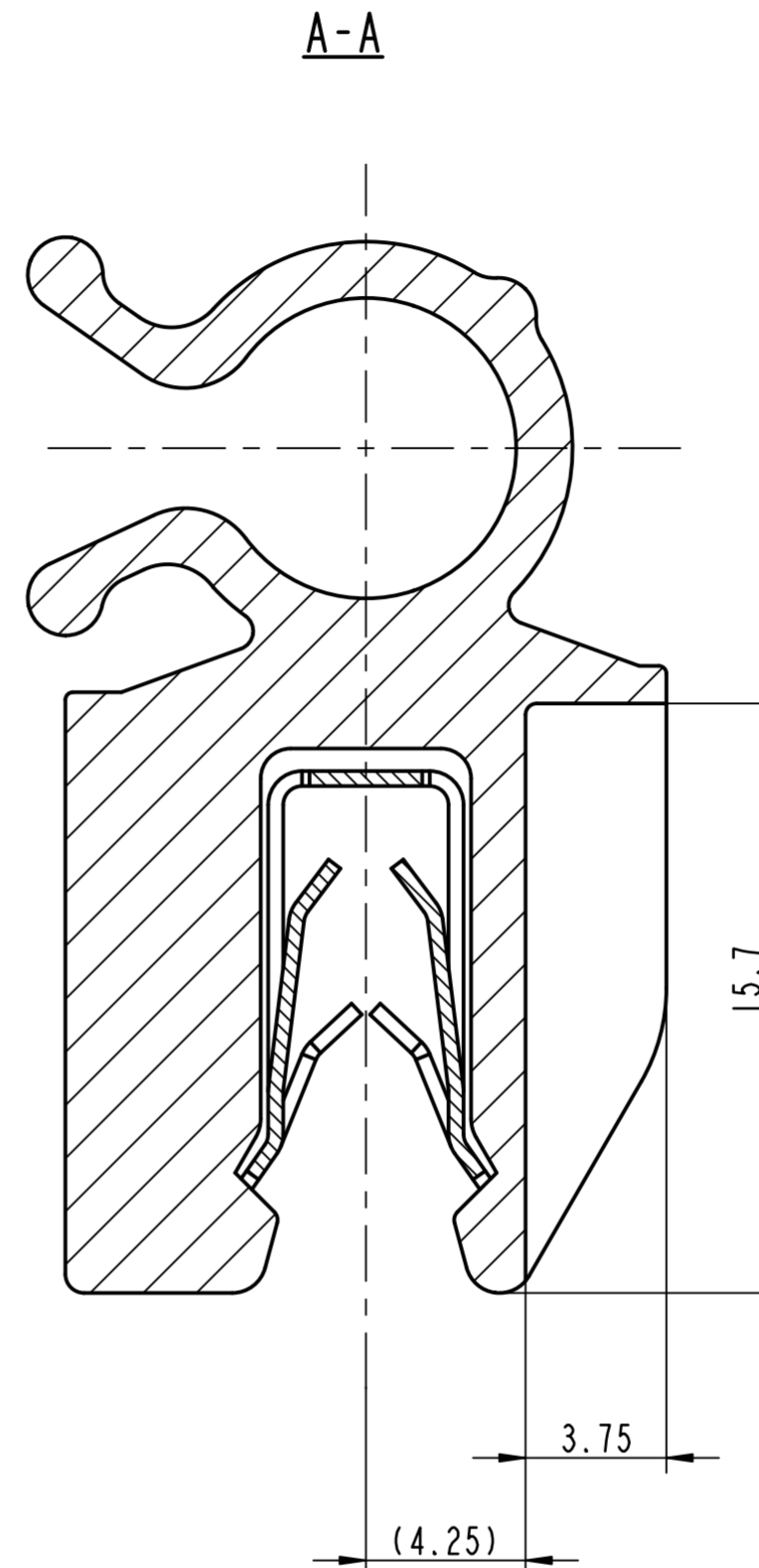
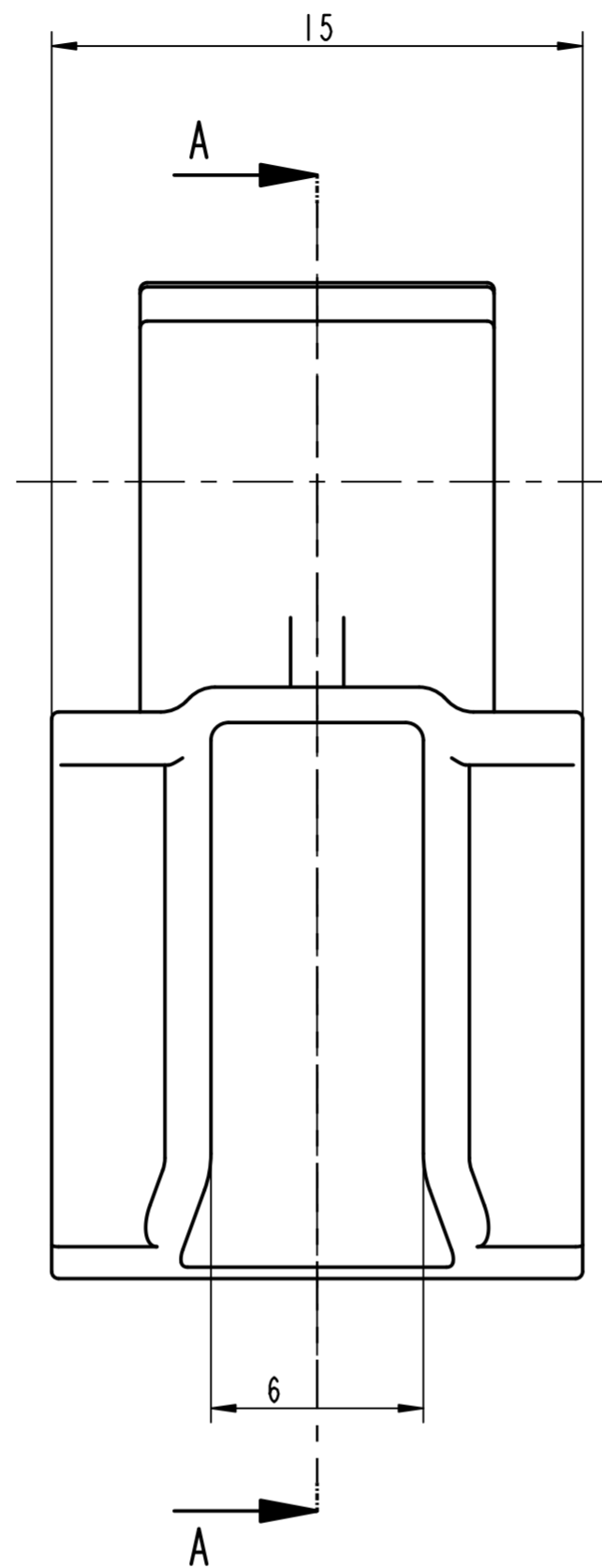
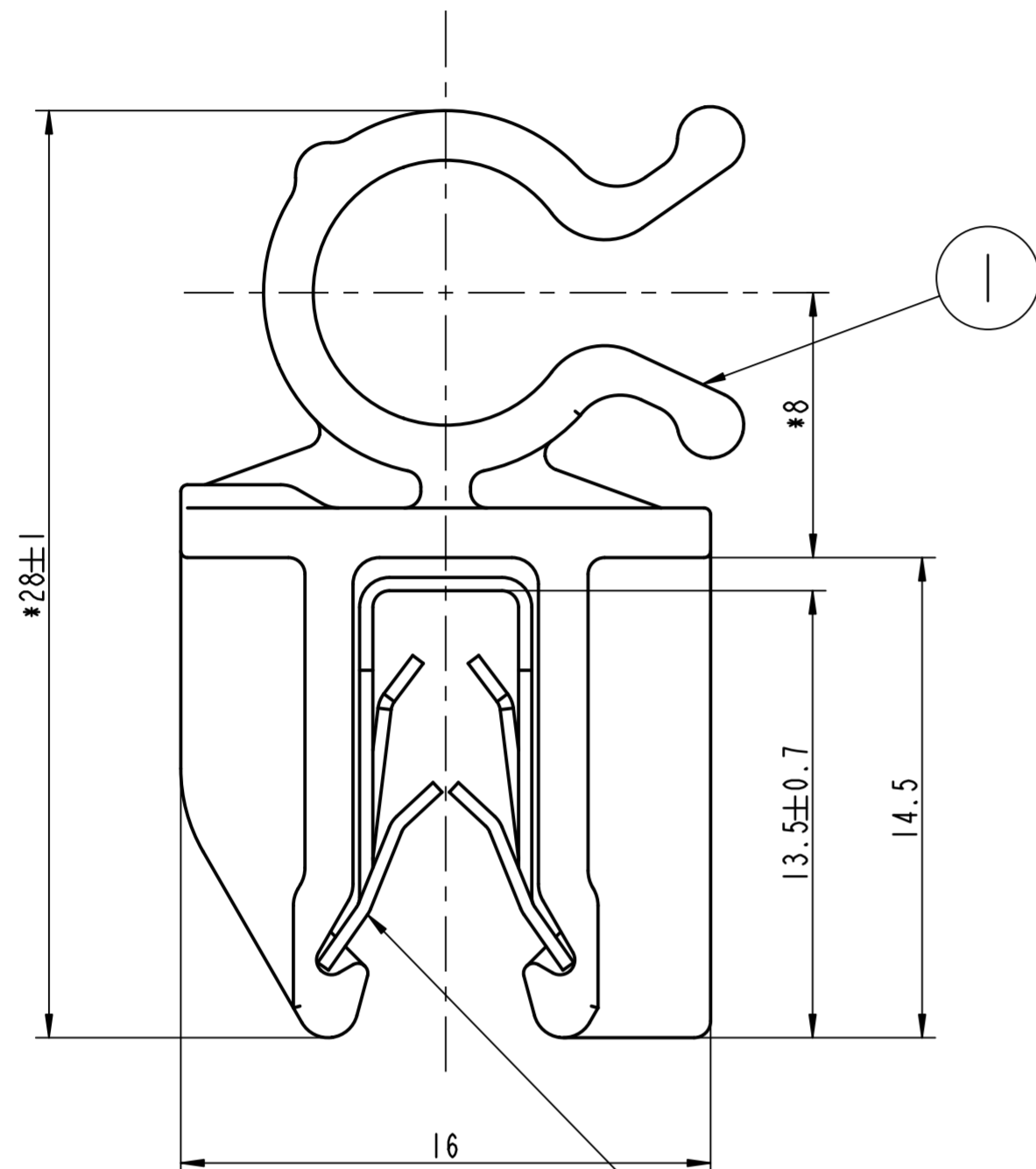


* Masse sind bei eingedruecktem Pruef-
stift $\varnothing 8$ zu messen .
Dimensions must be measured with preas-
sembled test pin $\varnothing 8$.

unbemasste Geometrien sind dem
3D-Datensatz zu entnehmen
undimensioned geometries must
be taken from the 3D-data



>400 <= 1000	±2
>120 <= 400	±1.5
> 30 <= 120	±1
> 6 <= 30	±0.5
<= 6	±0.25
Winkel / Angle	±3°

Allgemeintoleranzen fuer
Nennmaesse ohne Toleranz.
General tolerances for
nominal dimensions without
specified tolerance.

<http://www.cergy-vis.fr>

ET SI ON PARLAIT SERVICE

**Avec traitement Anti-UV et agrafe M2.1
résistance Rouille Rouge 600H pour
utilisation en extérieur**

Rev.	Anzahl/ quantity	Aenderungsbeschreibung / modification description	Datum/date	Name
Bb	1x	Farbe: GZ entfernt	13.02.12	kl
Ba	-	Erstfreigabe / initial release	03.05.11	MST

ARaymond
A RAYMOND GmbH & Co.KG
Teichstrasse 57
Germany - 79511 Loerrach
Phone +49 (0) 7621 174-0
Fax +49 (0) 7621 174-225

Bei Verstaendnisproblemen beantragen Sie bitte beim Absender die deutsche Fassung vor jeder Anwendung.
"CONDITIONS OF USE"
This drawing and all information (the "Drawing") disclosed are the exclusive property of A.Raymond.
By using this Drawing the Addressee acknowledges and accepts that this Drawing
(1) is covered by A.Raymond' intellectual property rights or know-how and
(2) is provided under the following conditions who represent a Deposit Agreement.
This Drawing is for Addressee' internal use only limited to its estimation.
Without prior written consent of A.Raymond, no permission or rights for any purpose, is hereby granted, such as, without any limitation,
(1) the copy, in part or entirely,
(2) and/or the presentation, in part or entirely, to any other third party outside the Addressee' company or in the company but with no interest
(3) and/or the distribution of the Drawing, in part or entirely, in any medium
(4) and/or the creation of any derivative work.
In case of breach of these conditions, Addressee shall indemnify A.Raymond from and against all damages (compensatory or consequential),
costs, expenses and charges, caused or arising out of or attributable to its willful misconduct, fraud, negligence, infringement of
A.Raymond' intellectual property rights. If the Addressee does not accept these conditions, please notify A.Raymond' sender immediately.

Schutzrechte/ patent rights	vorbehalten / all rights reserved			Classification Code	BACD-
Ersatz fuer/ substitute for	-	Entw.Ref./ dev.ref.	03.05.2011	Projekt-Nr./ project no.	50884-K
Maassstab/ scale	5:1	Format	A2	Erstellt von/ prepared by	M. Stamm
Projektion / projection	ALL DIMENSIONS ARE IN MILLIMETERS		Freigegeben/ approved	20120213074044	
Bleechdicke/ mat. thickness DIN EN 10140	-	Volumen/ volume (mm³)	-	Gericht/ weight (g)	2.9

Oberfl./ finish	-	Oberfl. Code/ finish code	-
Werkstoffbehandl./ material treatment	-	Werkstoff/ material	Met. code 8901

Bezeichnung/ title	Leitungshalter Plastic cable clip		
Teil-Nr./ part no.	205203-0-01	Drawing type	C:Customer
Kundenteile-Nr. / customer part no.	-	Blatt / sheet	1 / 1
CAD system & version	ProE WF3	Dateiname / filename	205203-0C01

2	1	020511-0-02	C 67 S DIN EN 10 132-4, 0.4 dick/thick	zwischenstufenverguetet 435...535 HV 5 austempered 435...535 HV 5	metallhaltige Korrosionsschutzbeschichtung metallic corrosion protection coated	silber silver	SI	0999
1	1	205196-0-01	PA 66 waermestabil + UV stab. PA 66 heat stabilized + 3% Condulen UV 7992 PA	konditioniert / conditioned Wassergehalt / Water content 2 ... 4%	-	schwarz black	SW	
Pos.	Anzahl/ quantity	Teil-Nr. / part. no.	Werkstoff / material	Werkstoffbehandlung / material treatment	Oberflaechenbehandlung / finish	Oberflaechen / Farbe / finish / colour	ZSB-Oberfl. Code finish code	